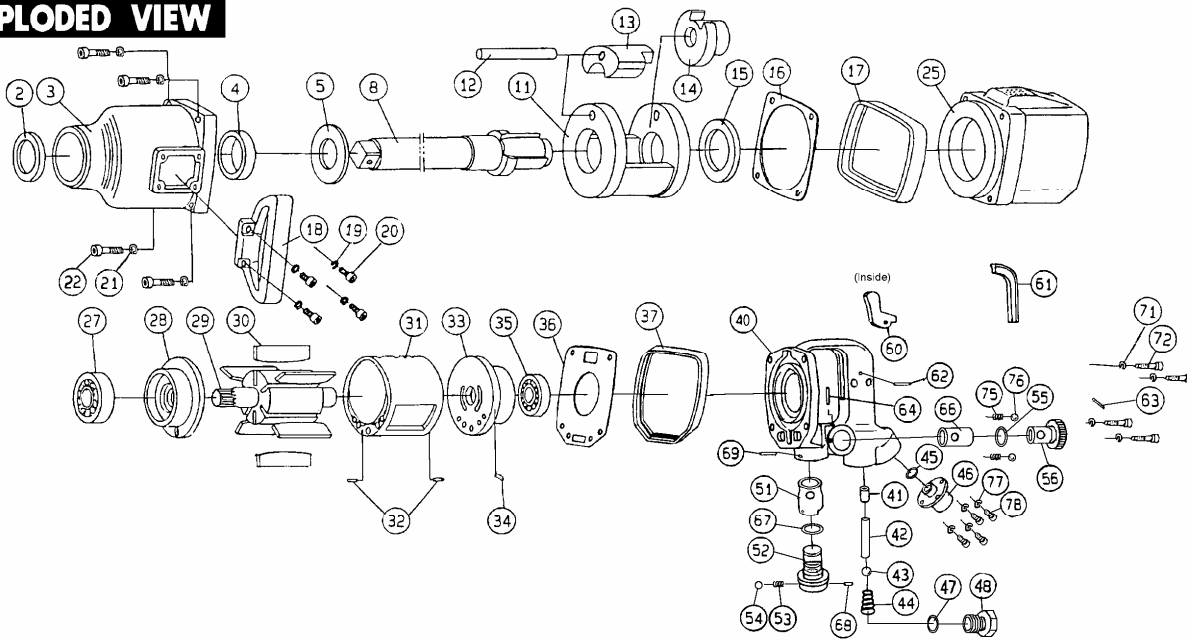


AIXIA-45SA, 45SA-2 IMPACT WRENCH

EXPLODED VIEW



PARTS LIST

27/03/2003

◆Parts may be changed with or without notice for improvement.

PART S No.	NAME OF PARTS	PER SET	PARTS CODE	PRICE @	ORDE R	PART S No.	NAME OF PARTS	PER SET	PARTS CODE	PRICE @	ORDE R
2	Oil Seal	1	042556VB			36	Motor Case Packing	1	20455351		
3A	Hammer Case Assembly (No.2 ~ No.4)		1045511			37	Rear Protect Rubber	1	20455D51		
3	Hammer Case	1	20455370			40A	Inside Lever Frame Handle Assembly (No.36, No.40 ~ No.78)		140063		
4	Hammer Case Bushing	1	23215423			40	Frame Handle	1	10325D41		
5	Thrust Washer	1	24005510			41	Throttle Bushing	1	10325422		
8	Anvil (9")	1	20455A20			42	Throttle Pin	1	10325280		
8	2" Anvil (for 45SA-2)	1	20455A21			43	Throttle Valve	1	008300CB		
11	Hammer Frame	1	20455D00			44	Throttle Spring	1	10325232		
12	Hammer Pin	1	20455C90			45	O-Ring	1	001600PR		
13	Hammer	1	20455C70			46	Inlet Bushing	1	10325424		
14	Driver	1	20455C30			47	O-Ring	1	002100PR		
15	Spacer	1	24005250			48	Throttle Plug	1	10325D30		
16	Hammer Case Packing	1	20455350			51	Valve Bushing	1	10325421		
17	Front Protect Rubber	1	20455D50			52	Reverse Valve	1	10325E11		
18	D-Handle	1	10325C10			53	Spring	1	20191230		
19	Spring Washer (for D-Handle)	4	006000S WV			54	Steel Ball	1	004000S P		
20	Hex.Cap Bolt (for D-Handle)	4	006180CB			55	O-Ring	1	001500PR		
21	Spring Washer	4	008000S WV			56	Adjust Valve	1	10325011		
22	Hex.Cap Bolt	4	008300CB			60	Inside Lever	1	23215180		
25A	Motor Case Assembly (No.21 ~ No.35, No.37)		104552			61	Rubber	1	23215A90		
25	Motor Case	1	20455460 W01000N			62	Spring Pin	1	040280SP		
27	Ball Bearing	1	06305200			63	Needle Pin	1	040218NK		
28	Front End Plate	1	24005040			64	Spring Pin	1	040320SP		
29	Rotor	1	20455490			66	Adjust Bushing	1	10325426		
30	Vane	6	20455500			67	O-Ring	1	001600PR		
31A	Cylinder Assembly (No.31, No.32)		1045523			68	Spring Pin	1	040320SP		
31	Cylinder	1	20455190			71	Spring Washer	4	008000S WV		
32	Spring Pin	2	040200SP			72	Hex.Cap Bolt	4	008250CB		
33A	Rear End Plate Assembly (No.33, No.34)		2400522			75	Spring	2	20191230		
33	Rear End Plate	1	24005050			76	Steel Ball	2	004000S P		
34	Spring Pin	1	040080SP			77	Spring Washer	4	008000S WV		
35	Ball Bearing	1	06205000			78	Hex.Cap Bolt	4	005150CB		