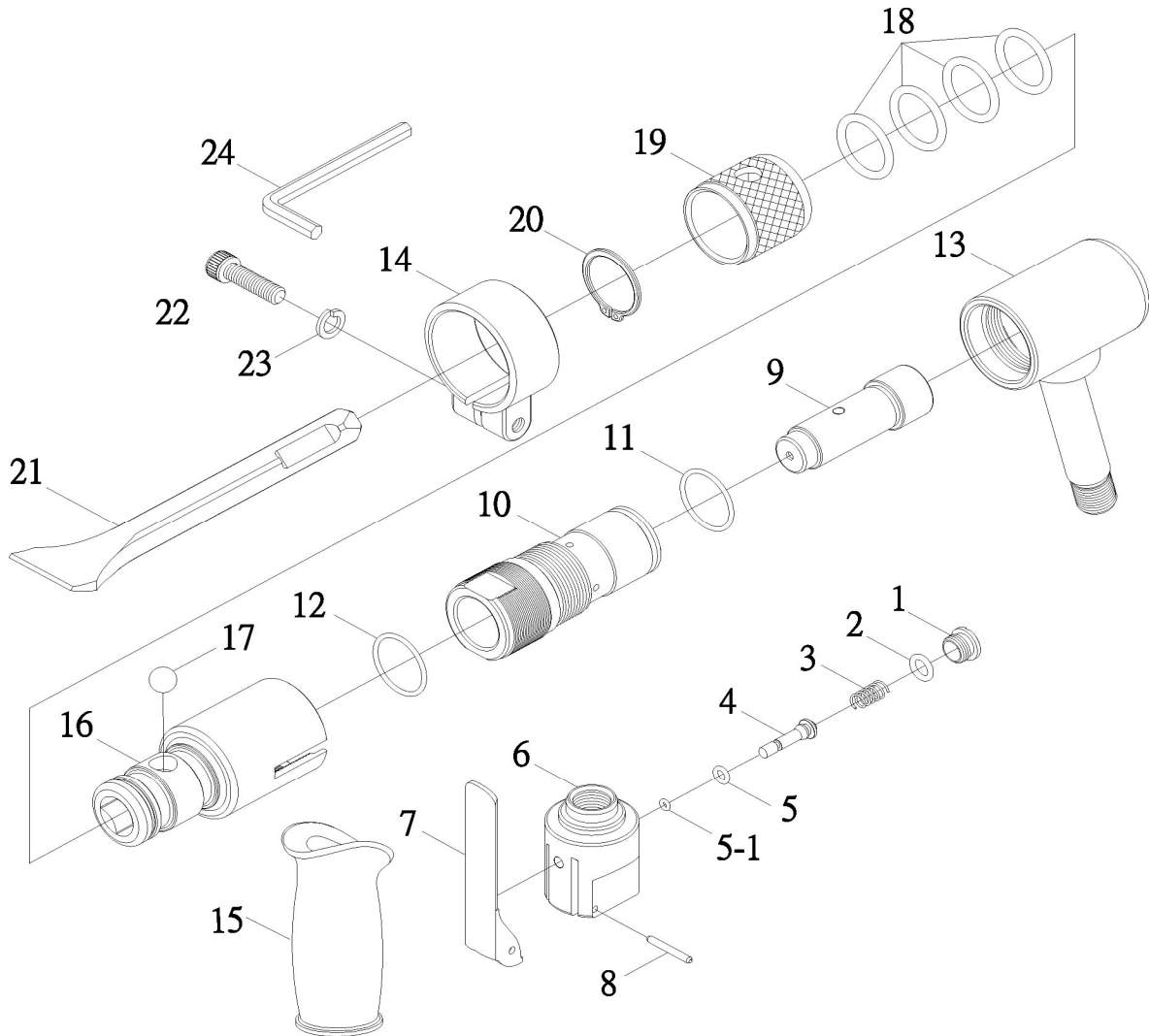




# Modelo FP-20 MARTILLO PISTOLA



## PARTS LIST

No.	Parts No.	Description	Q'ty	No.	Parts No.	Description	Q'ty
1	2552-01	Valve Cap	1	14	2552-14	Clamp Only	1
2	2552-02	O-Ring - Valve Cap (D7.8xW2.4) (P8)	1	15	2552-15	Rubber Handle Grip	1
3	2552-03	Valve Spring	1	16	2552-16	Cylinder Body	1
4	2552-04	Valve Stem	1	17	2552-17	Ball (7/16")	1
5	2552-05	O-Ring - Valve Seat (D4.8xW1.9) (P5)	1	18	2552-18	O-Ring (D23.7xW3.5) (P24)	4
5-1	2552-05-1	O-Ring (D2.5x1.5)	1	19	2552-19	Chisel Cover	1
6	2552-06	Valve Body	1	20	2552-20	Snap Ring (S-30)	1
7	2552-07	Throttle Lever	1	21	2552-21	Chisel-Bent 35mm	1
8	2552-08	Roll Pin (Φ3x24L)	1		2552-21A	Chisel-Flate 20mm (Opt.)	1
9	2552-09	Piston	1		2552-21B	Chisel-Point (Opt.)	1
10	2552-10	Cylinder	1	22	2552-22	Cap Head Screw (5/16"x1-1/8")	1
11	2552-11	O-Ring (D25.5xW2.0)	1	23	2552-23	Washer (5/16")	1
12	2552-12	O-Ring (D25.5xW2.0)	1	25	2552-25	Hex. Wrench (6mm)	1
13	2552-13	Pistol Handle Housing	1				

ST-2552-P-1303D-JI