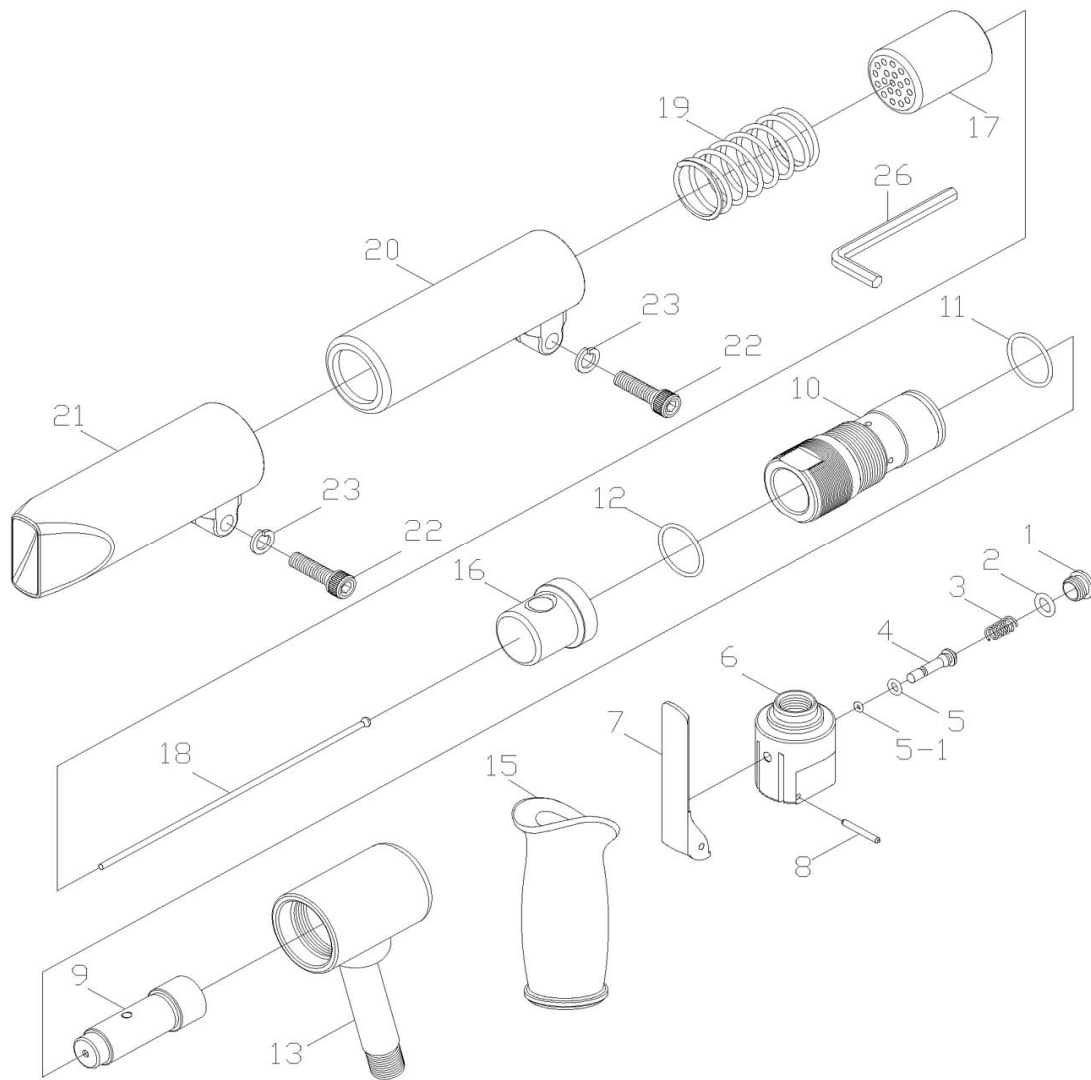




# Modelo FP-35CN

## MARTILLETA DE AGUJAS 19X3MM



### PARTS LIST

No.	Parts No.	Description	Q'ty	No.	Parts No.	Description	Q'ty
1	2555-01	Valve Cap	1	13	2555-13	Handle Housing	1
2	2555-02	O-Ring (d7.8xW2.4)	1	15	2555-15	Rubber Handle Grip	1
3	2555-03	Valve Spring	1	16	2555-16	Anvil	1
4	2555-04	Valve Stem	1	17	2555-17	Needle Holder (3mm)	1
5	2555-05	O-Ring (d4.8xW1.9)	1	17	2555-17A	Needle Holder (2mm) -Opt.	1
5-1	2555-05-1	O-Ring (d2xW1.5)	1	18	2555-18	Needle Set (3mm)	19
6	2555-06	Valve Body	1	18	2555-18A	Needle Set (2mm) -Opt.	29
7	2555-07	Throttle Lever	1	19	2555-19	Spring - Compression	1
8	2555-08	Roll Pin (Φ3x24L)	1	20	2555-20	Intermediate Tube	1
9	2555-09	Piston	1	21	2555-21	Front Tube	1
10	2555-10	Cylinder	1	22	2555-22	Cap Head Screw (5/16"x1-1/8")	2
11	2555-11	O-Ring (d25.5xW2.0)	1	23	2555-23	Washer (5/16")	2
12	2555-12	O-Ring (d25.5xW2.0)	1	26	2555-26	Hex. Wrench (6mm)	1

ST-2555-P-1301E-JI