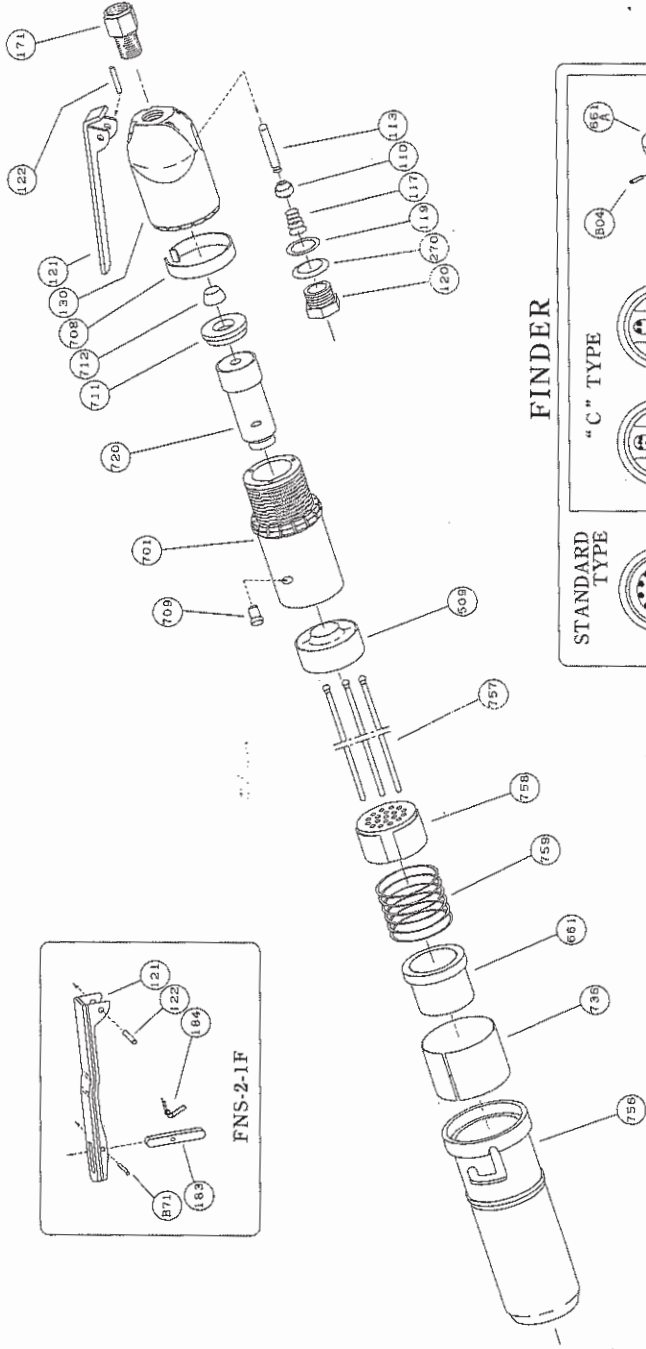
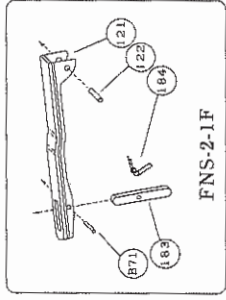
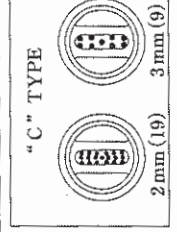


# MODELS : FNS-2, -2-1F

## EXPLODED VIEW



### FINDER



FNS-2, -2-1F

## PARTS LIST

Index No.	Parts No.	Parts Name	Qt.
<b>FNS-2</b>			
—	H-063005-05	Cap Assy	1
130	H-014130-00	Cap	1
117	D-001117-00	Throttle Valve Spring	1
119	H-014119-00	T.V. Cover Packing	1
120	H-014120-00	Throttle Valve Cover	1
121	H-063121-00	Throttle Valve Lever	1
122	H-001122-00	Throttle Valve Lever Pin	1
270	H-014270-00	Conical Spring Washer	1
—	H-063008-00	Throttle Valve Rod Assy	1
110	H-001110-02	Throttle Valve	1
113	H-063113-00	Throttle Valve Rod	1
<b>FNS-2-1F</b>			
<b>LOCKING LEVER HANDLE TYPE</b>			
—	H-063005-07	Cap Assy	1
130	H-014130-00	Cap	1
117	D-001117-00	Throttle Valve Spring	1
119	H-014119-00	T.V. Cover Packing	1
120	H-014120-00	Throttle Valve Cover	1
122	H-001122-00	Throttle Valve Lever Pin	1
270	H-014270-00	Conical Spring Washer	1
—	H-014008-00	Throttle Valve Rod Assy	1
110	H-001110-02	Throttle Valve	1
113	H-014113-00	Throttle Valve Rod	1
—	H-063019-01	Lock Lever Assy	1
121	H-063121-01	Throttle Valve Lever	1

Index No.	Parts No.	Parts Name	Qt.
183	H-001183-00	Lock Key	1
184	G-144184-00	Lock Spring	1
B71	SP-218	Spring Pin	1
<b>FNS-2</b>			
<b>FNS-2-1F</b>			
—	H-063007-00	Cylinder Assy	1
701	H-063701-00	Cylinder	1
709	H-063709-00	Locking Clutch Key	1
171	IB-202N01	Inlet Bushing (NPT)	1
509	H-063509-00	Anvil	1
661	H-063661-00	Finder	1
708	H-014708-00	Locking Clutch	1
711	H-014711-00	Cylinder Cover	1
712	H-001712-00	Damper	1
720	H-063720-00	Piston	1
736	H-063736-00	Band	1
756	H-063756-00	Front Tube	1
757	H-063757-00	Needle (3mm)	19
758	H-063757-01	Needle (2mm)	37
758	H-063758-01	Needle Holder (3mm)	1
759	H-063758-02	Needle Holder (2mm)	1
759	H-057759-01	Return Spring	1
<b>PARTS FOR "C" TYPE FINDER</b>			
661A	H-063661-01	"C" Type Finder	1
(B04)	SP-36	Spring Pin	1

The related parts are shown in the thick frame.

Index No. 661A is supplied together with parts shown in ( ).

Index No. 171 is unnecessary in PT type.

Specify parts number and quantity in ordering.