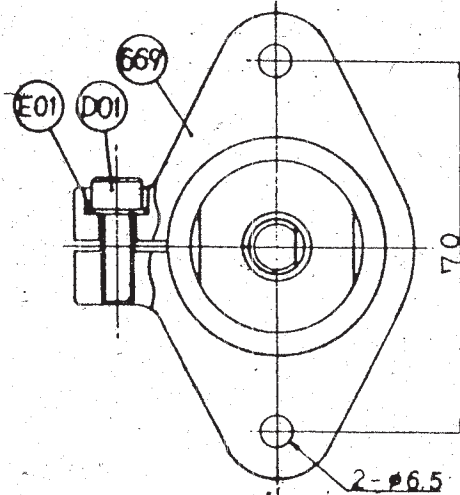
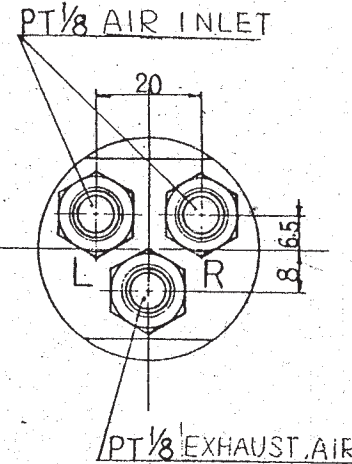
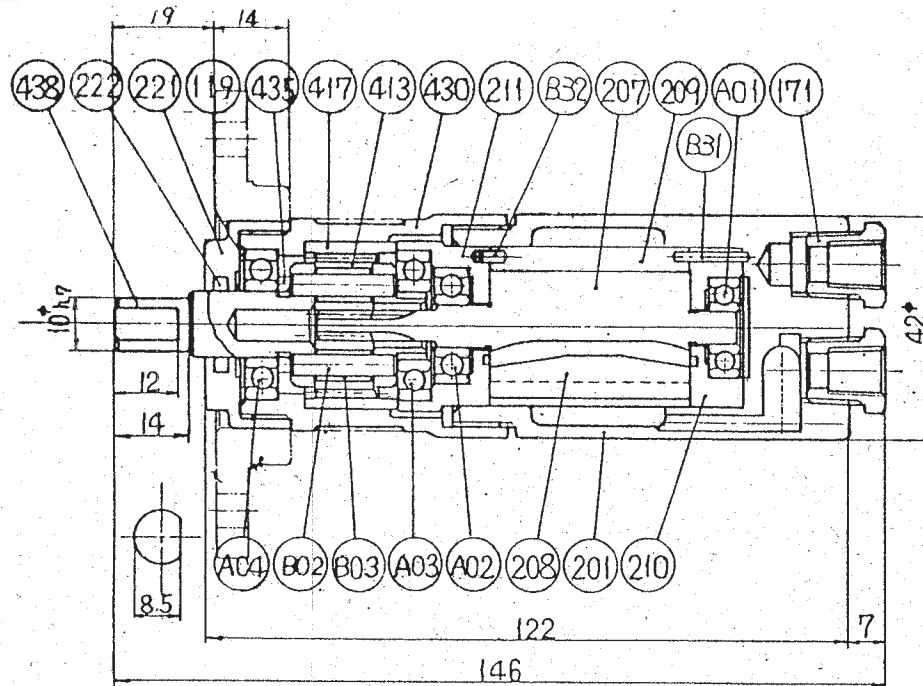


## F-6SM-28R



| DRAW NO. | PART NO. | NAME OF PART     | QTY |
|----------|----------|------------------|-----|
| 669      | M-62669  | FLANGE           | 1   |
| D01      | CS-618   | M6x18 CAP SCREW  | 1   |
| E01      | SW-6     | M6 SPRING WASHER | 1   |

| DRAW NO. | PART NO.  | NAME OF PART          | QTY |
|----------|-----------|-----------------------|-----|
| 119      | G-11119   | T.V. COVER PACKING    | 1   |
| 171      | IB-201000 | INLET BUSHING         | 3   |
| 201      | M-42201   | HOUSING               | 1   |
| 207      | W-100207  | ROTOR                 | 1   |
| 208      | W-100208  | ROTOR BLADE           | 5   |
| 209      | W-74209   | CYLINDER              | 1   |
| 210      | W-074210  | CYLINDER UPPER PLATE  | 1   |
| 211      | W-74211   | CYLINDER LOWER PLATE  | 1   |
| 221      | D-14221   | SPINDLE BEARING COVER | 1   |
| 222      | D-14222   | FELT RING             | 1   |
| B31      | SP-1.618  | SPRING PIN            | 1   |
| 413      | D-1413    | No.1 PLANET GEAR      | 2   |
| B02      | NR-419    | 4x19 NEEDLE ROLLER    | 2   |
| 417      | D-1417    | No.1 INTERNAL GEAR    | 1   |
| 430      | D-72430   | No.1 GEAR CASE        | 1   |
| 435      | D-1435    | THRUST WASHER         | 1   |
| 438      | M-62438   | SPINDLE               | 1   |
| A01      | BB-626    | *626 BALL BEARING     | 1   |
| A02      | BB-608    | *608 BALL BEARING     | 1   |
| A03      | BB-EE4    | *EE-4 BALL BEARING    | 1   |
| A04      | BB-EE4    | *EE-4 BALL BEARING    | 1   |
| B03      | NR-1105   | 1x10.5 NEEDLE ROLLER  | 30  |
| B32      | SP-1.66   | SPRING PIN            | 1   |

### SPECIFICATIONS:

| TYPE      | AIR PRESSURE       |                    | FREE SPEED | STALL TORQUE |       | RATED HORSE POWER | AIR CONSUMPTION     |                      | OVERALL LENGTH |       | NET WEIGHT |     | AIR INLET THREAD | HOSE SIZE |
|-----------|--------------------|--------------------|------------|--------------|-------|-------------------|---------------------|----------------------|----------------|-------|------------|-----|------------------|-----------|
|           | KG/cm <sup>2</sup> | lb/in <sup>2</sup> | R.P.M.     | KG-m         | ft-lb | P.S.              | m <sup>3</sup> /min | ft <sup>3</sup> /min | mm             | in.   | KG         | lb  | in.              | mm        |
| F-6SM-28R | 6                  | 85                 | 2300       | 0.34         | 2.46  | 0.34              | 0.34                | 12                   | 146            | 5 3/4 | 0.8        | 1.8 | PT 1/8           | 8         |

| AIR MOTOR                 |              |            |                |
|---------------------------|--------------|------------|----------------|
| F-6SM-28R                 |              |            |                |
| TYPE                      | F-6SM-28R    |            |                |
| DRAWING No.               | M-062-460-02 | CHIEF      |                |
| SCALE                     | 1/1          | CHECKED BY | <i>Sachiko</i> |
| DATE                      | 83 FEB       | DRAWING BY | <i>Sachiko</i> |
| FUJII AIR TOOLS CO., LTD. |              |            |                |

ST3-171 枠内