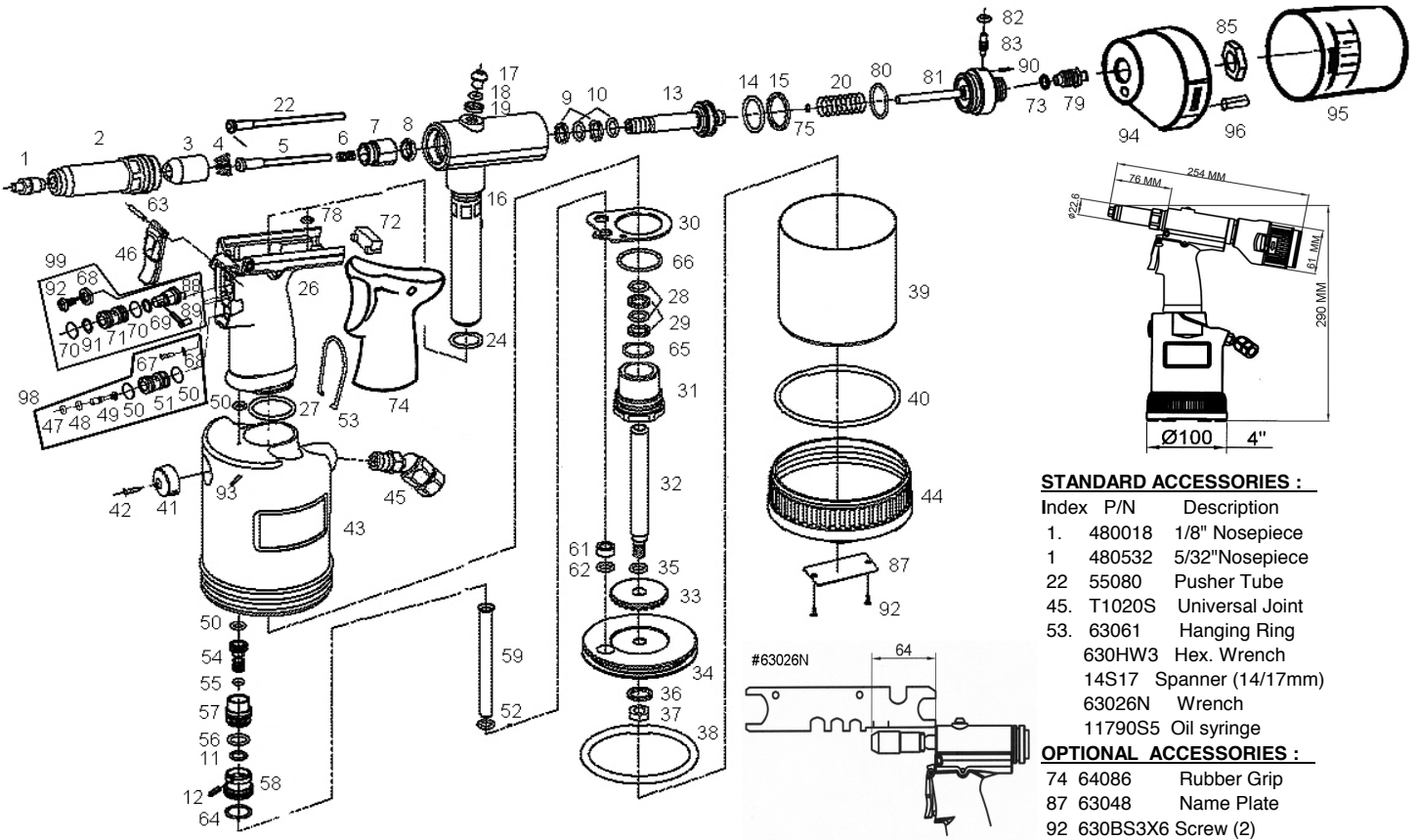


SPECIFICATIONS :

Blind Rivet Setting Capacity--1/8", 5/32",3/16"	Weight.....	3.5LBS (1.6kgs)
Traction Power.....2400Lbs(1100kgs)	Sound Pressure.....	75 dB(A)
Stroke 18mm	Vibration	< 2.5 M/S ²
Operating Air Pressure..... 90 PSI	Air Consumption.....	2 L/ stroke
Length :..... 290mm		



STANDARD ACCESSORIES :

Index	P/N	Description
1.	480018	1/8" Nosepiece
1	480532	5/32" Nosepiece
22	55080	Pusher Tube
45.	T1020S	Universal Joint
53.	63061	Hanging Ring
	630HW3	Hex. Wrench
	14S17	Spanner (14/17mm)
	63026N	Wrench
	11790S5	Oil syringe

OPTIONAL ACCESSORIES :

74	64086	Rubber Grip
87	63048	Name Plate
92	630BS3X6	Screw (2)

(MV630-N-1) 8/2013D8

Index No.	Part No.	Description	Index No.	Part No.	Description	Index No.	Part No.	Description
1	480316	3/16" Nosepiece	*40	R76X35	O-Ring Seal	81	62010TVS	Screw Plug w/Tube
2	64015B	Head	41	63031	Exhaust Cap	*82	R2X1	O-Ring
3	10409	Jaw Housing	42	WS3X10	Screw	83	62073	Regulator
4	10508	Jaws (3pcs/set)	43	63029	Cylinder Body	85	620HN18	Nut
5	55007T	Pusher Tube	44	63035	Cylinder Cap	88	63053G	Valve Stem
6	11505	Spring	46	63010V	Trigger	89	63089	Lever
7	64016B	Jaw Housing Coupler	*47	R1-9X19	O-Ring Seal	90	PN1X8	Pin
8	63014	Nut	*48	R2X15	O-Ring Seal	*91	31451	O-Ring (5x1)
*9	11520	X-Ring Washer (2)	49	63016V	Trigger Stem	92	630BS3X6	Screw
*10	11558	X-Ring Seal (2)	*50	02197	O-Ring Seal (4)	93	400031	Pin
*11	R11X1.2	O-Ring Seal	51	63009	Trigger Bush	94	620090	Cap
12	SP2X17	Pin	*52	680RW13	O Ring Seal	95	6200920	Mandrel Bottle Ass'y
13	64051VW	Hyd. Plunger w/Bush Screw	54	68038A	Throttle Valve	96	SP3X12	Pin
*14	P2224	O-Ring Seal(#P2224U)	*55	10512	O-Ring	98 630090V	Air Valve Bush Ass'y	
*15	48022	O-Ring Washer	*56	10445	O-Ring Seal	Content:		
16	64002V9	Hydraulic Section Assy	57	68037A	Upper Bush	47	R1-9x19	O Ring Seal
17	630M5	Oil Plug	58	68036A	Law Bush	48	R2X15	O Ring Seal
*18	R4X2	O-Ring Seal	59	63039	Valve Tube	49	63016V	Trigger
*19	630W5	Fill Washer	61	63079	Bush	50	02197	O Ring Seal (2)
20	10453B	Hyd. Return Spring	*62	35039	O-Ring	51	63009	Trigger Bush
*24	02170	O-Ring	63	25018B	Roll Pin	67	630M3	Screw
26	63003V	Hydraulic Handle	*64	25022	O-Ring Seal	68	630W3	Washer
*27	630356	O-Ring Seal	*65	R18X2	O-Ring Seal	99 63052G0	Air Suction Valve Bush Ass'y	
*28	11520	X-Ring Seal (2)	*66	R266X24	O-Ring Seal	Content:		
*29	11558	O-Ring Washer (2)	67	630M3	Screw	68	630W3	Washer
*30	63032	Pipe Washer	*68	630W3	Washer (2)	69	R4X15	O-Ring (4X1.5)
31	63057	Screw Plug	*69	R4X15	O-Ring (4X1.5)	70	R6-4X15	O-Ring (2)
32	63022	Plunger Rod	*70	R6-4X15	O-Ring (2)	71	63052G	Valve Bush
33	63030	Cushion	71	63052G	Valve Bush	88	63053G	Valve Stem
34	63020	Piston	72	63060	Rubber Plug	89	63089	Lever
*35	R5X15	O-Ring Seal	*73	R9X15	O-Ring	91	31451	O-Ring (5x1)
*36	48047	Washer	*75	R6X12	O-Ring	92	630BS3X6	Screw
37	48048	Nut	*78	64078	Rubber Washer	If pull small rivets 1/8" (3.2mm) application, Please change #5 (#55007T) & replace with #ZZ(#5508U)		
*38	R70X57	O-Ring Seal	79	62081B	Nozzle	REPAIR KIT		
39	63008	Cylinder Cup	*80	02116	O-Ring			