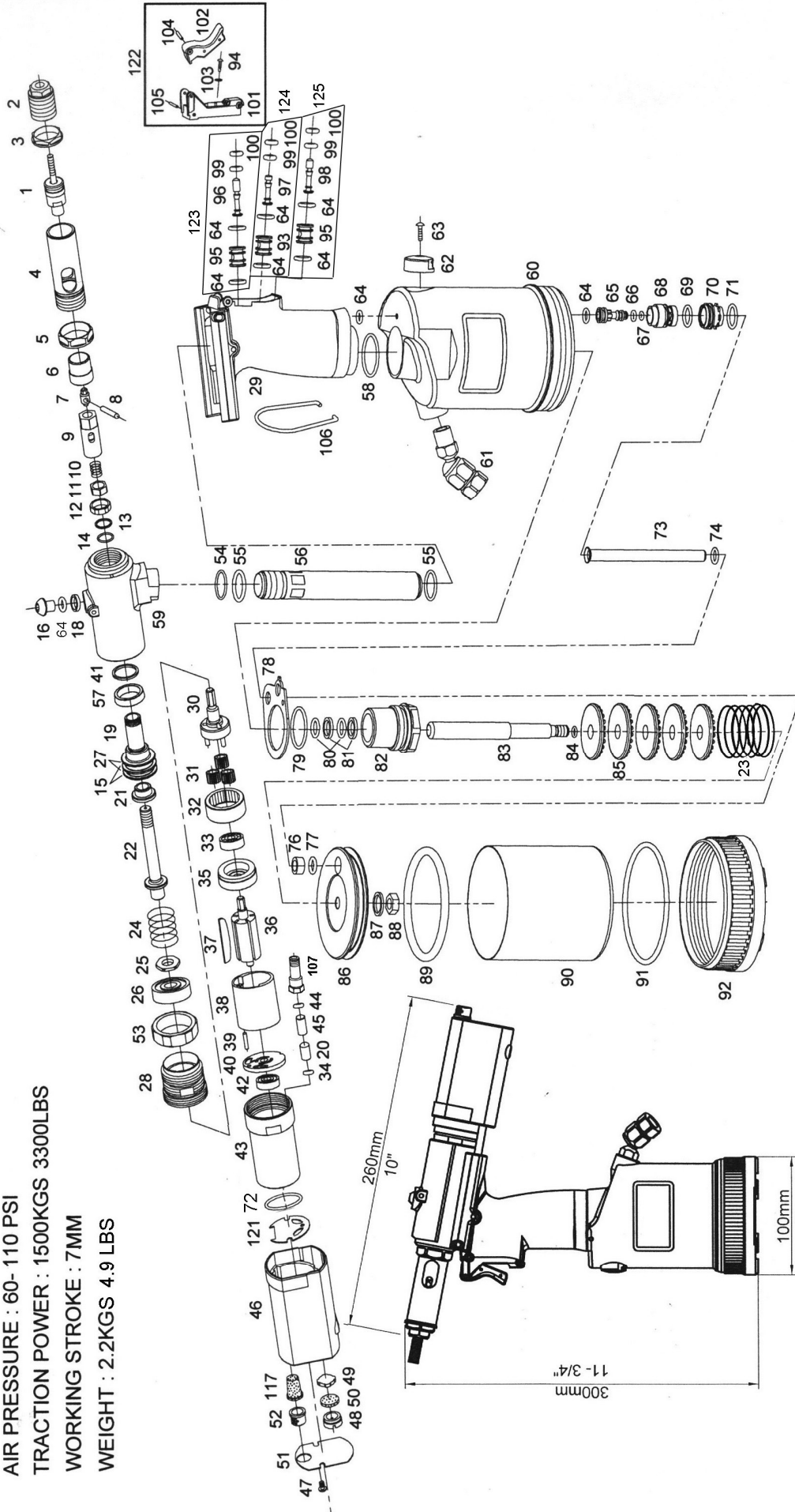


SPECIFICATIONS :
WORK CAPACITY : M3,M4,M5,M6,M8
AIR PRESSURE : 60- 110 PSI
TRACTION POWER : 1500KGS 3300LBS
WORKING STROKE : 7MM
WEIGHT : 2.2KGS 4.9 LBS



NO.	NO.		NO.	NO.	
1	6002BM8N	Bolt M8	82	63057	Screw Plug
2	62M8	Nut Anvil M8	83	600222	Plunger Rod
3	600021	Nut	84	R5X15	O-Ring Seal
4	600260	Head	85	63030	Cushion(5)
5	600016	Nut	86	63020	Piston
6	600213	Adjustable Bushing	87	48047	Washer
7	600007	Hexagon Bit	88	48048	Nut
8	600041	Spring Pin	89*	R70X57	O-Ring Seal
9	6000082	Bolt Bushing	90	63008	Cylinder /Cup
10*	600076	Spring	91*	R76X35	O-Ring Seal
11	600009	Nut	92	63035	Cylinder Cap
12	6000M14	Nut Ring	93	600209	Trigger Bush
13*	11502	Ring Washer	95	63009	Trigger Bush (2)
14*	11554	X-Ring Seal	96	600216	Trigger Stem
15*	11501	O-Ring (2)	97	600217	Trigger Stem
16	02171	Oil Plug	98	600218	Trigger Stem
18	400017A	Fill Washer	99*	R2X15	O-Ring Seal (3)
19	6002120	Hydraulic Plunger	100*	R1-9X19	O-Ring Seal (3)
	Inc. #21/#600020B	Bushing	107	600256	Adapter (2)
20	6000631	Valve Rod (2)	117	600096	Muffler Bush
22	600211	Shaft	121	600062	Gasket
23	600246	Spring	122 600900		Trigger Ass'y
24*	600045	Spring	incl.		
25	600054	Washer Nut	94		Screw
26	B6000	Ball Bearing	101		Trigger Seat
27*	11549	Washer (2)	102		Trigger
28	600051	Screw Bushing	103		Washer
29	63003V	Hydraulic Handle	104		Roll Pin
30	600352	Gear Spindle (14 I)	105		Roll Pin
31*	600323	Gear (3)	123 600216T		Valve Ass'y
32	6002401	Ring Gear	incl.		
33	B6000	Ball Bearing	64	02197	O-Ring Seal (2)
34*	R06X15	O-Ring (2)	95	63009	Trigger Bush
35	600355	Front Plate	96	600216	Trigger Stem
36	600314	Rotor (14T)	99	R2X15	O-Ring Seal
37*	82115	Blade (6)	100	R1-9X19	O-Ring Seal
38	85209	Cylinder	124 600217T		Valve Ass'y
39	25006	Pin	incl.		
40	600230	End Plate	64	02197	O-Ring Seal (2)
41	6801422	Washer	93	600209	Trigger Bush
42	25004	Ball Bearing	97	600217	Trigger Stem
43	600061	Motor Housing	99	R2X15	O-Ring Seal
44*	11560	O-Ring Seal (2)	100	R1-9X19	O-Ring Seal
45	600348	Tube (2)	125 600218T		Valve Ass'y
46	600063	Motor Housing Cover	incl.		
47	600047	Screw (2)	64	02197	O-Ring Seal (2)
48	600071	Screw Bushing (2)	95	63009	Trigger Bush
49	19312	Rubber plate (3)	98	600218	Trigger Stem
50	600050	Valve Muffler (2)	99	R2X15	O-Ring Seal
51	600064	Valve Plate	100	R1-9X19	O-Ring Seal
52	600065	Exhaust Cap	63003V0		Handle Ass'y
53	600058	Nut	incl.		
54*	R16X17	O-Ring	29	63003V	Hydraulic Handle
55*	R18X2	O-Ring (2)	107	600256	Adapter (2)
56	63066	Valve Pipe	*** Accessories ***		
57	FU011650	USI Ø 14 x Ø 22 x 5	1	6002BM6N	Bolt M6
58*	630356	O-Ring	1	6002BM5N	Bolt M5
59	600202	Hydraulic Section	1	6002BM4N	Bolt M4
60	63029	Cylinder Body	1	6002BM3N	Bolt M3
62	63031	Exhaust Cap	2	62M6	Nut Anvil M6
63	25020	Screw	2	62M5	Nut Anvil M5
64*	02197	O-Ring Seal (9)	2	62M4	Nut Anvil M4
65	63038	Throttle Valve	2	62M3	Nut Anvil M3
66*	10512	O-Ring	3	600021	Nut (4)
67	35016	O-Ring	61	T1020S	Universal Joint
68	63037	Upper Bush	106	54059	Hanging Ring
69*	10445	O-Ring	*	W24	Wrench 24/27mm
70	63036	Lower Bush	*	54005	Hex. Wrench
71	25022	O-Ring	*	11790	Oil Syringe
72	R35X25	O-Ring Seal	*	WR1719	Wrench
73	63039	Valve Tube	*	600069	Pin
74*	630RW8X2	Rubber Washer	Optional Accessories		
76	63079	Bush	1	6002BM8	Bolt M8
77	35039	O-Ring	1	6002BM6	Bolt M6
78	63032	Pipe Washer	1	6002BM5	Bolt M5
79*	R266X24	O-Ring Seal	1	6002BM4	Bolt M4
80*	11520	X-Ring Seal (2)	1	6002BM3	Bolt M3
81*	11558	O-Ring Washer (2)	2	62SM8	Short Nut Anvil M8

REPAIR KIT