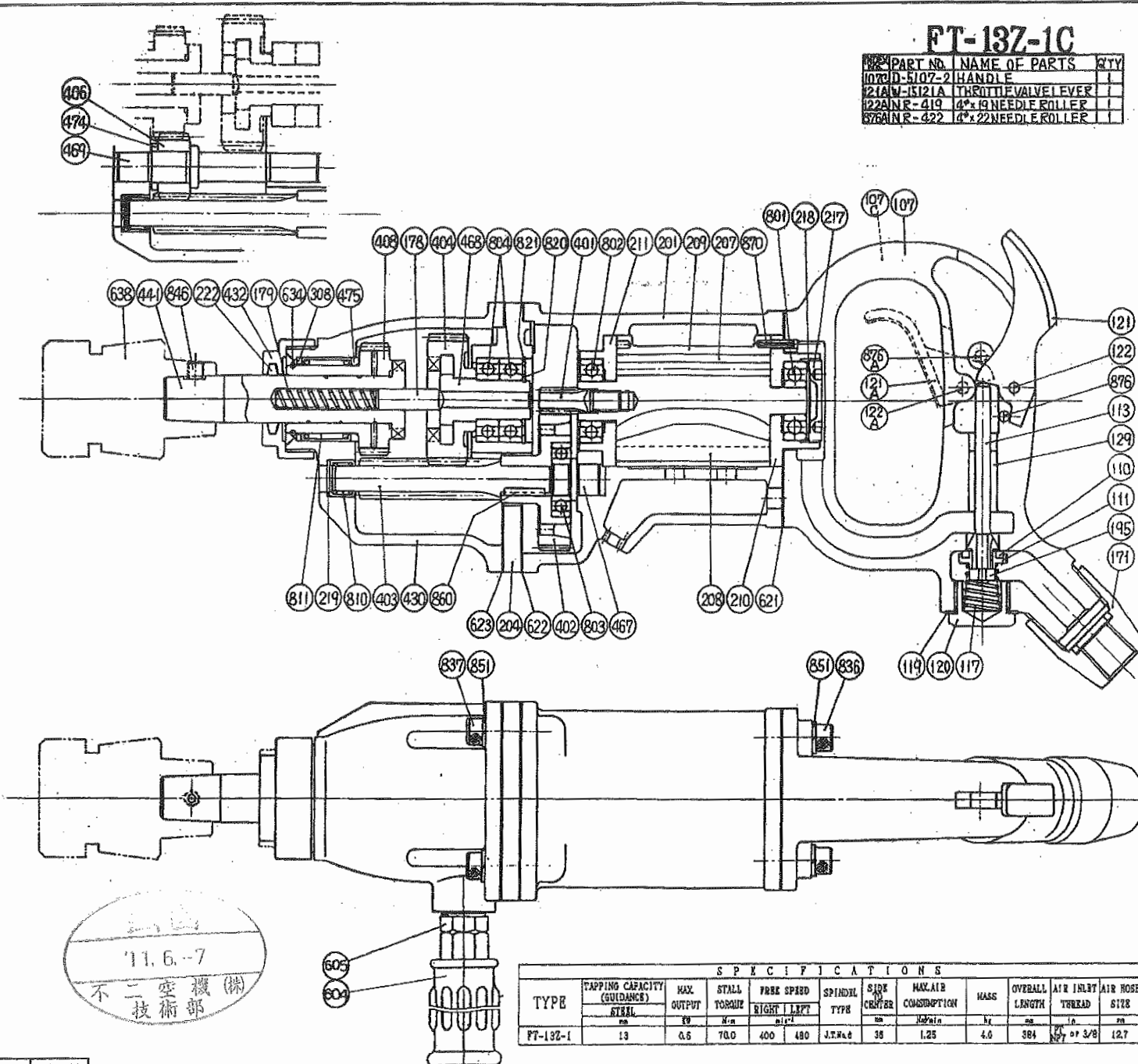


FT-13Z-1C

PART NO.	NAME OF PARTS	QTY
107D-5107-2	HANDLE	
121AW-15121A	THROTTLE VALVE LEVER	
122ANR-419	4 \times 19 NEEDLE ROLLER	
876ANR-422	4 \times 22 NEEDLE ROLLER	

FT-13Z-1

PART NO.	NAME OF PARTS	QTY
107D-5107-1	HANDLE	
110W-80110-0	THROTTLE VALVE	
113W-80113-0	THROTTLE VALVE ROD	
117D-5117	THROTTLE VALVE SPRING	
120D-5120	T.V. COVER	
119W-80119	T.V. COVER PACKING	
121W-14121-1	THROTTLE VALVE LEVER	
122NR-419	4 \times 19 NEEDLE ROLLER	
129H-R129	T.V. ROD BUSHING	
171D-5171	INLET BUSHING	
178T-2178	PLUNGER	
179T-2179	PLUNGER SPRING	
195W-80195	SHR THROTTLE VALVE	
201T-3201	HOUSING	
204T-3204	HOUSING LOWER COVER	
207D-5207	ROTOR	
208T-3208	ROTOR BLADE	4
209B-22209	CYLINDER	
210B-22210	CYLINDER UPPER PLATE	
211D-5211	CYLINDER LOWER PLATE	
217B-44217A	BEARING COVER	
218B-44218	BEARING COVER PACKING	
219D-5219	NEEDLE BEARING COVER	
222T-3222	FELT RING	
308T-3308	SPACER	
401T-2401	NO.1 PINION	
402T-3402	NO.1 GEAR	
403T-3403	NO.2 PINION	
404T-3404	NO.2 GEAR	
406T-3406	NO.3 GEAR	
408T-3408	NO.4 GEAR	
430T-3430	GEAR CASE	
432T-3432	GEAR CASE COVER	
441T-3441	SPINDLE	
467T-3467	NO.1 GEAR SPINDLE	
468T-3468	NO.2 GEAR SPINDLE	
469T-3469-1	NO.3 GEAR SPINDLE	
474T-3474	NO.3 GEAR WASHER	
475T-3475	NO.4 GEAR WASHER	
604A-25604-2	DEAD HANDLE	
605A-25605	DEAD HANDLE JOINT	
111W-80111	THROTTLE VALVE WASHER	
621D-5621-2	PACKING (A)	
622T-3622	PACKING (B)	
623T-3623	PACKING (C)	
634T-3634	LOCK RING	
638TCK-13-1	TAPPING CHUCK	
801BB-6200	ϕ 6200 BALL BEARING	
802BB-6002	ϕ 6002 BALL BEARING	
803BB-6001	ϕ 6001 BALL BEARING	
804BB-6002	ϕ 6002 BALL BEARING	2
810SC-66	SC-66 NEEDLE BEARING	
811SC-1612	SC-1612 NEEDLE BEARING	
820S-15	S-15 SNAP RING	
821F-32	F-32 SNAP RING	
836CS-625	M6 \times 25 CAP SCREW	4
837CS-625	M6 \times 25 CAP SCREW	5
846SS-68K	M6 \times SET SCREW	
851PW-e	M6 PLAIN WASHER	9
860K3316K	3 \times 3 \times 16 KEY	
870SP-314	3 \times 14 SPRING PIN	
876NR-422	4 \times 22 NEEDLE ROLLER	



TYPE	TAPPING CAPACITY (GUIDANCE)		MAX. OUTPUT kW	STALL TORQUE Nm	FREE SPEED rpm		SPINDLE TYPE	SIDE CENTER	MAX. AIR CONSUMPTION l/min	WEIGHT kg	OVERALL LENGTH mm	AIR INLET mm	AIR ROSE mm
	mm	mm			RIGHT	LEFT							
FT-13Z-1	13	6.5	70.0	400	480	J.T.H.d	38	1.25	4.0	384	67	3/8	12.7

AIR TAPPER		
TYPE	FT-13Z-1	
DRAWING NO.	T-3	SCALE NTS
DATE	MAY '78	YAGYU
FUJI AIR TOOLS CO., LTD.		
T-003-A5/-02		

ST06-028 K. N