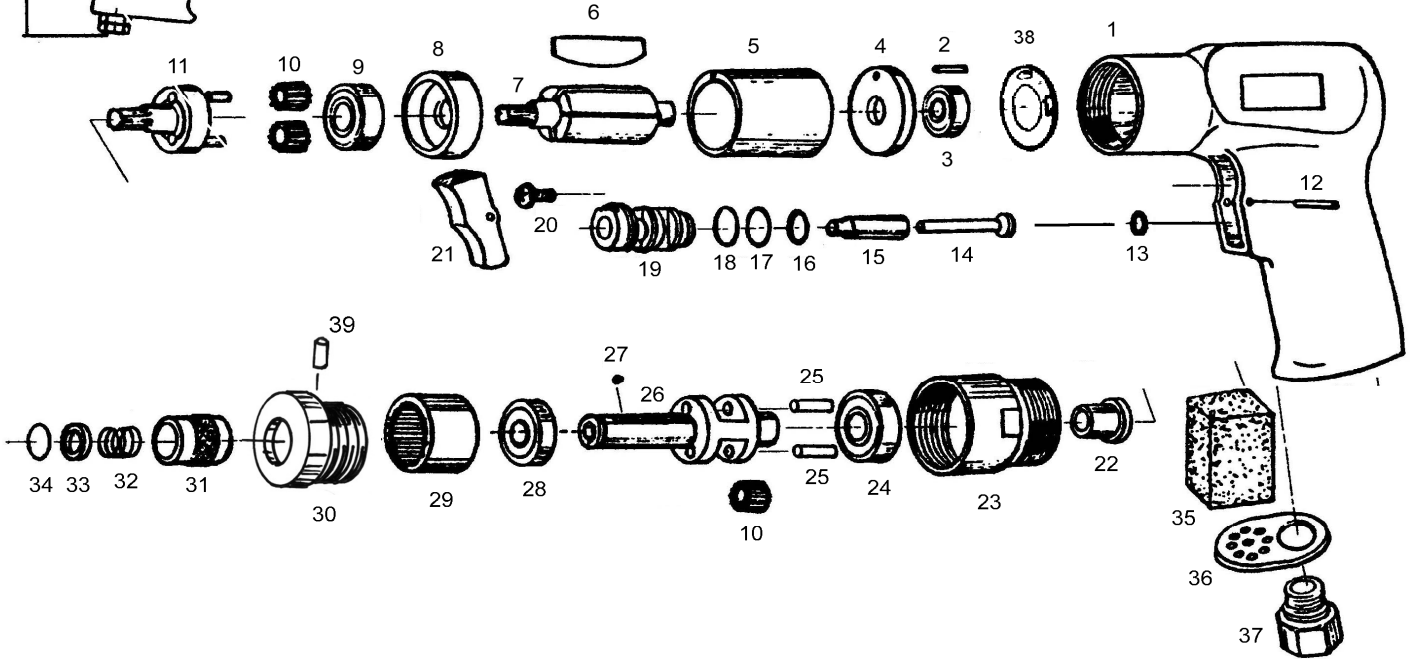


SPECIFICATIONS:

MODEL NO.	SD400
CLUTCH TYPE	DIRECT DRIVE
MAX. FREE SPEED	300 RPM
MAX. SCREW CAPACITY	M8 (5/16")
AIR PRESSURE	90 PSI
MIN. HOSE SIZE	3/8"
OVERALL LENGTH	6-1/4"
NET WEIGHT	2.5 LBS
TORQUE	15 FT · LB / 20 N M



3/1/2005

Index NO.	Part NO.	Description
1	35001	Motor Housing
2	P2514	Spring Pin
3	25004	Ball Bearing
4	25003	Rear Plate
5	35009	Cylinder
6	25007	Rotor Blade (5)
7	35002A	Rotor
8	35008	Front Plate
9	25023	Ball Bearing
10	35018B	Gear & Bushing (5)
11	35011A	Planet Cage + Pin
12	25018	Roll Pin
13	35016	O-Ring (2)
14	35007	Valve Stem (2)
15	35006	Sleeve (2)
16	35039	O-Ring (2)
17	35003	O-Ring (2)
18	10445	O-Ring Seal (2)
19	35005	Throttle Bushing (2)
20	35004	Screw

Index NO.	Part NO.	Description
21	35002	Trigger
22	35016A	Bushing
23	35015A	Housing
24	35060	Ball Bearing
25	35059	Planet Pin (2)
26	35010A	Planet Cage
27	35094	Steel Ball (3)
28	35069	Ball Bearing
29	35012A	Internal Gear
30	35014S	Screw Housing
31	35023	Q-Change Bushing
32	35018	Spring
33	35024	Ring Washer
34	35019	Wire Ring
35	35049	Muffler
36	35062	Diffuser Exhaust
37	35061	Air Inlet Bushing
38	23211	Motor Gasket
39	35029	Pin