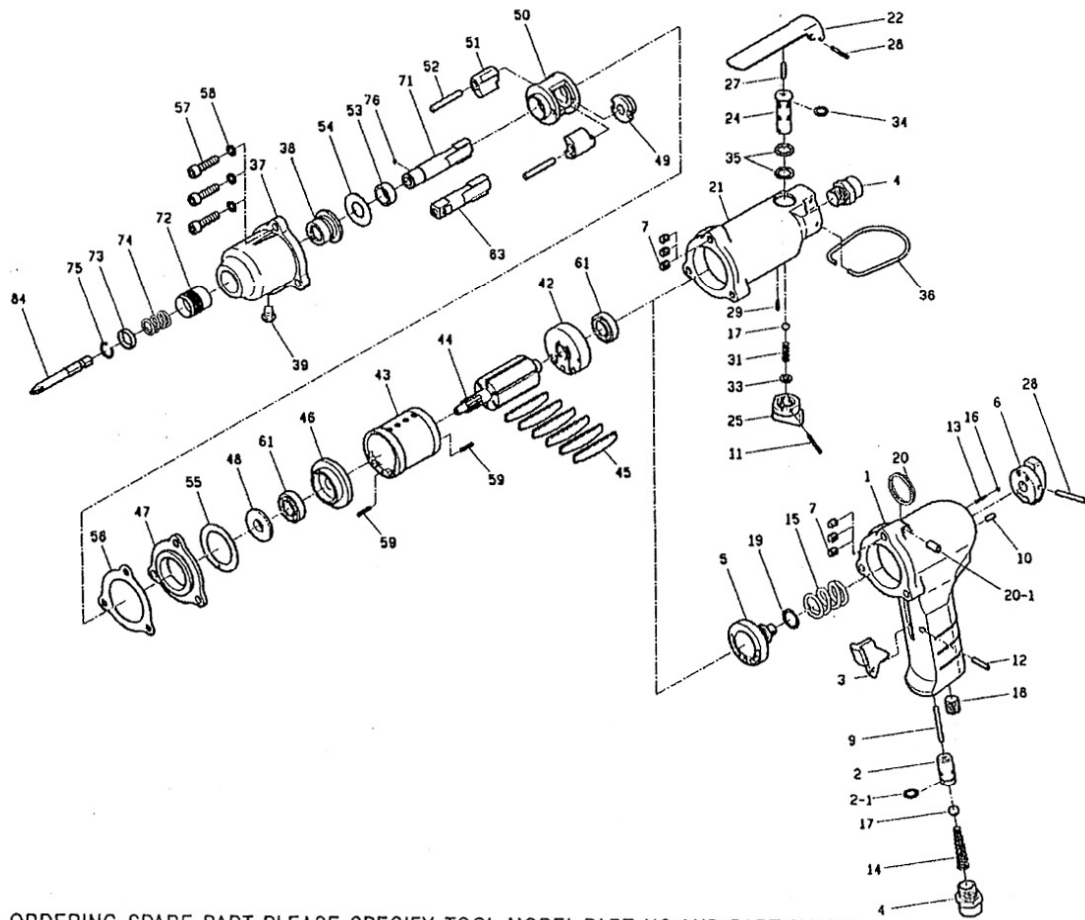


AIXIA

Modelo 6SL, 6SLD, 6SSL, 6SSLD

ATORNILLADOR PISTOLA



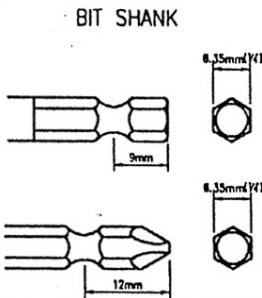
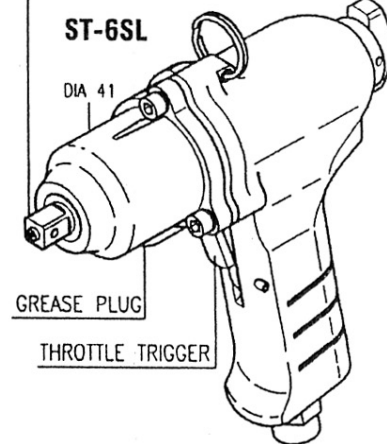
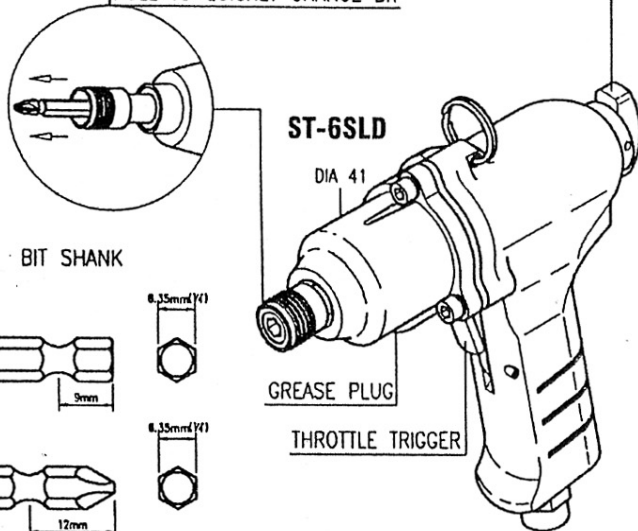
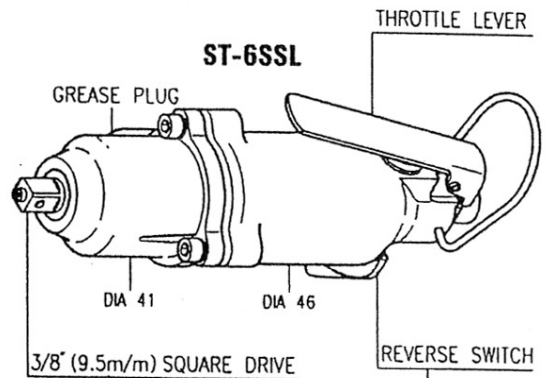
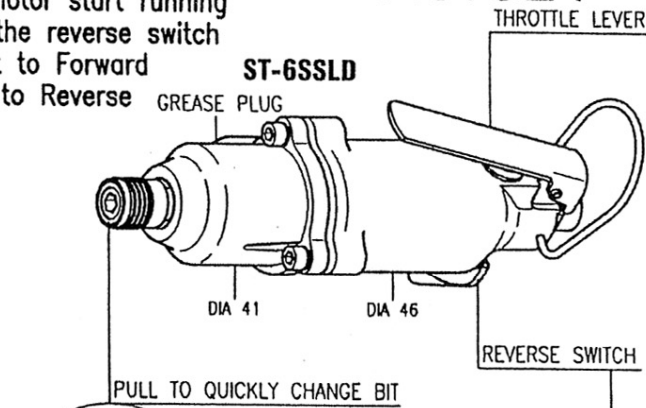
PART LIST (WHEN ORDERING SPARE PART, PLEASE SPECIFY TOOL MODEL, PART NO. AND PART NAME)

REF NO	PART NO	PART NAME	QTY	REF NO	PART NO	PART NAME	QTY	REF NO	PART NO	PART NAME	QTY
PISTOL HANDLE				25	0602-022	REVERSE LEVER	1	48	0601-520	ANVIL REAR SPACER	1
1	0601-010	HANDLE	1	27	9034-21	NEEDLE PIN 4*20.8	1	49	0601-530	HAMMER CAM	1
2	0601-030	INLET VALVE	1	29	9042-5	PIN 2*5	1	50	0601-540	HAMMER CAGE	1
2-1	9061-081	O.RING (8*1.5)	1	31	9070-201	SPRING(1/4*12)	1	51	0601-550	HAMMER	2
3	0601-032	THROTTLE TRIGGER	1	33	9062-4.5	O.RING(4.5*2)	1	52	9034-010	HAMMER PIN	2
5	0601-020	REVERSE VALVE	1	34	9060-P10	O.RING(9.8*1.9)	1	53	0601-541	HAMMER CAGE BUSING	1
6	0601-022	REVERSE LEVER	1	35	9060-P14	O.RING(14*2.5)	2	54	0601-542	ANVIL FRONT SPACER	1
9	9033-30	NEEDLE PIN 3*29.8	1	36	0350-080	SUSPENSION RING	1	55	9069-901	PRESSING PACKING	1
10	9033-7.8	NEEDLE PIN 3*7.8	1	COMMON PARTS							
12	9043-14	PIN 3*14	1	4	9090-19	AIRINLET 1/4	1	56	9080-002	FRONT COVER PACKING	1
13	9070-901	SPRING (1/8)	1	7	9150-501	HELI-SERT	3	57	9111-520	SCREW(M5*0.75L)	3
14	9070-105	SPRING (CONE)	1	17	9010-8	BALL (8mm)	1	58	9119-005	SPRING WASHER	3
15	9070-207	SPRING	1	28	9043-24	PIN 3*24	1	59	9042-12	PIN 2*12	2
16	9010-3.2	BALL (1/8)	1	37	0601-510	HAMMER CASING	1	61	9020-EE3	BALL BEARING(EE3)	2
18	911P-002	PT 1/8 SCREW	1	38	0601-620	ANVIL BUSHING	1	FOR WRENCH			
19	9062-11	O.RING (11*2)	1	39	9113-610	SCREW (M6*7)	1	63	0601-650	ANVIL (SQ 3/8)	1
20	0601-080	SUSPENSION RING	1	42	0601-110	REAR PLATE	1	FOR DRIVER			
20-1	9045-8	PIN 5*8	1	43	0601-120	CYLINDER	1	71	0601-630	DRIVER ANVIL (HEX6.35)	1
STRAIGHT HANDLE				44	0601-130	ROTOR	1	72	0601-632	BIT SLEEVE	1
11	9032-23	NIDDLE PIN 2*22.8	1	45	0601-140	BLADE	6	73	0601-633	BIT SLEEVE WASHER	1
21	0602-010	CASING	1	46	0601-111	FRONT PLATE	1	74	9070-403	SPRING (13.5*11)	1
22	0602-032	THROTTLE LEVER	1	47	0601-012	SEPARATOR	1	75	9051-10	RING(11.7*1.0))	1
24	0602-020	REVERSE VALVE	1								
								76	9010-3.2	BALL (1/8)	1
								84	9103-75	BIT N02 (6.35*75)	1

AIXIA

Modelo 6SL, 6SLD, 6SSL, 6SSLD ATORNILLADOR PISTOLA

- Press the throttle lever
The motor start running
- Turn the reverse switch
-right to Forward
-left to Reverse



SPECIFICATIONS

Model	Capacity (about)	Free Speed (about)	Weight (about)		Over all Length (about)		Air Inlet Thread (Pipe Tap)	Air Hose Size		Average Air Consumption (about)	
	mm	r.p.m.	lb	Kg	in	mm	in	in	mm	ft ³ /min	m ³ /min
ST-6SL	6	8,500	2.64	1.20	6 1/2	165	P. T. 1/4	3/8	9.53	10.7	0.3
ST-6SLD	6	8,500	2.64	1.20	7	179	P. T. 1/4	3/8	9.53	10.7	0.3
ST-6SSL	6	8,500	2.31	1.05	7 1/4	185	P. T. 1/4	3/8	9.53	10.7	0.3
ST-6SSLD	6	8,500	2.31	1.05	7 3/4	197	P. T. 1/4	3/8	9.53	10.7	0.3

1. PERFORMANCE WITH DRY & CLEAN AIR, THE AIR PRESSURE ABOUT 6 KG/CM² (90PSI)

2. LUBRICATION:

- SUPPLY TURBINE OIL FOR AIR MOTOR (FOR EXAMPLE MOBIL TURBINE #32, SHELL TURBINE #32 OR EQUIVALENTS) —
- SUPPLY HIGH QUALITY GREASE FOR BEARING (FOR EXAMPLE SHELL ALVANIA #2, MOBIL PLEX #2, OR EQUIVALENTS)
- SUPPLY HIGH QUALITY GREASE PROPERLY FOR IMPACTING PARTS (FOR EXAMPLE SHELL ALVANIA EP R2, NIPPON SHARPLES GREASE, ESSO BEACON Q2, OR EQUIVALENTS).
- CLEAN THE IMPACTING PARTS WHEN RE-GREASING THEM.
- OVER-GREASING WILL CAUSE DULL MOTION OR HEATING.

3. HAMMER DISASSEMBLY:

- TO CLAMP THE HANDLE [(1)(21)] WITH A SOFT 2-JAW FOR PISTOL TYPE OR A SOFT 3-JAW (THE RIGHT DIAMETER).
- TO TAKE OFF THE HOUSING (37) WITH A HEX WRENCH TO LOOSEN THE 3 SCREWS NO (57) COUNTER CLOCKWISE.
- REPLACE ANVIL AND HAMMER TOGETHER WHEN EITHER OF THEM IS FOUND WORN.
- TO ASSEMBLE IN REVERSE ORDER AS THE INSTRUCTION ABOVE (SEE THE PARTLISTS VIEW).
- DO NOT USE SOCKETS WHICH ARE WORN AT FEMALE SQUARE WHERE ANVIL FITS IN.

4. MOTOR DISASSEMBLY:

- TO CLAMP THE HANDLE [(1)(21)] WITH A SOFT 2-JAW FOR PISTOL TYPE OR A SOFT 3-JAW (THE RIGHT DIAMETER) FOR STRAIGHT LINE TYPE.
- TO TAKE OFF THE HOUSING (37) WITH A HEX WRENCH TO LOOSEN THE 3 SCREWS NO (57) COUNTER CLOCKWISE.
- THEN PULL OFF THE THE END PLATE CYLINDER & ROTOR.
- TO ASSEMBLE IN REVERSE ORDER AS THE INSTRUCTION ABOVE (SEE THE PARTLISTS VIEW)

SPECIFICATIONS SUBJECT TO CHANGE WITHOUT NOTICE.

AIRALDE

Pol. Ind. Eitua nº52 Pab.5A - 48240 Berriz (Bizkaia)
Telf.: 946 236 010 | Fax.: 946 236 011 | airtalde@airtalde.es | www.airtalde.es