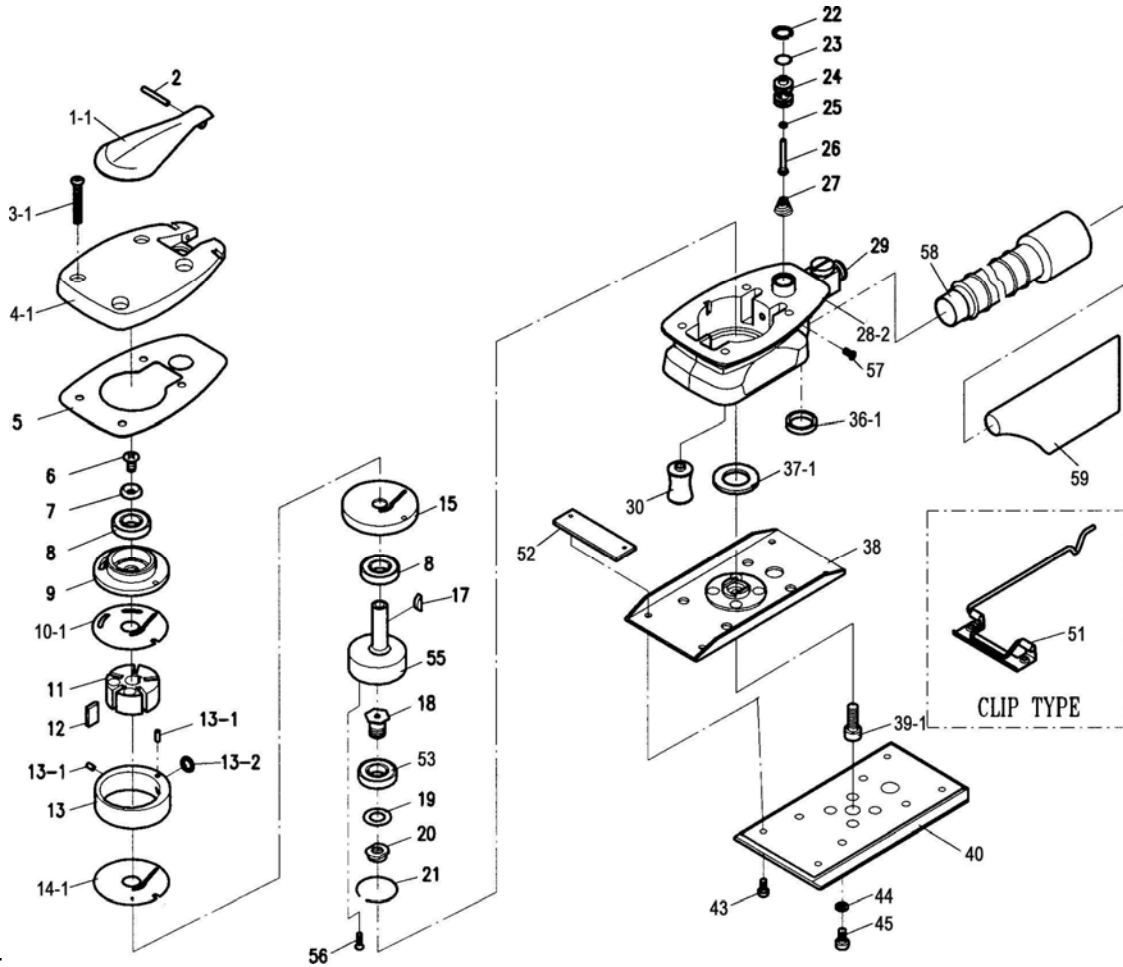




# Modelo 774BD

LIJADORA ORBITAL CON ASPIRACIÓN 73x140MM



## PARTS LIST

No.	Parts No.	Description	Q't
1-1	77494-01-1	Valve Lever	1
2	77494-02	Spring Pin (Φ3x32)	1
3-1	77494-03-1	Screw (M5x35)	4
4-1	77494-04-1	Top Cover	1
5	77494-05	Body Packing	1
6	77494-06	Screw (M5x10)	1
7	77494-07	Conical Washer (M5)	1
8	77494-08	Bearing (6000ZZ)	2
9	77494-09	U-Bearing Case	1
10-1	77494-10-1	U-Side Plate	1
11	77494-11	Rotor	1
12	77494-12	Rotor Blade	5
13	77494-13	Cylinder Set	1
13-1	77494-13-1	Spring Pin (Φ3x5)	3
13-2	77494-13-2	O-Ring (P7)	1
14-1	77494-14-1	L-Side Plate	1
15	77494-15	L-Bearing Case	1
17	77494-17	H/R Key (3x13)	1
18	77494-18	Pad Retainer	1
19	77494-19	Thim	1
	-		
21	77494-21	Snap Ring	1
22	77494-22	Snap Ring (IR2)	1
23	77494-23	O-Ring (P8)	2

No.	Parts No.	Description	Q't
24	77494-24	Valve Pin Sleeve	1
25	77494-25	O-Ring (Φ4xΦ7)	1
26	77494-26	Valve Pin	1
27	77494-27	Valve Spring	1
28-2	77494-28-2	Body (For Vacuum Type)	1
29	77494-29	Regulator Set	1
30	77494-30	Support	4
36-1	77494-36-1	Felt Ring (Φ16)	1
37-1	77494-37-1	Seal	1
38	77494-38	Shoe Assy	1
39-1	77494-39-1	Cap Screw (M5x15)	1
40	77494-40C	Vacuum Type Velcro Pad	1
	77494-40D	Vacuum Type Stick Pad	1
43	77494-43	Screw (M4x6)	4
44	77494-44	Washer (M5)	4
45	77494-45	Screw (M5x6)	4
51	77494-51	Clip (For Stick Pad)	2
52	77494-52	Clip Weight (For Velcro Pad)	2
53	77494-53	Bearing (60002RS)	1
55	77494-55	Shaft With Head	1
	-		
57	77494-57	Screw (M4x8)	1
58	77494-58	Dust Hose Set	1
59	77494-59	Dust Bag	1

ST-77494VC(S)-P-1408B-KM