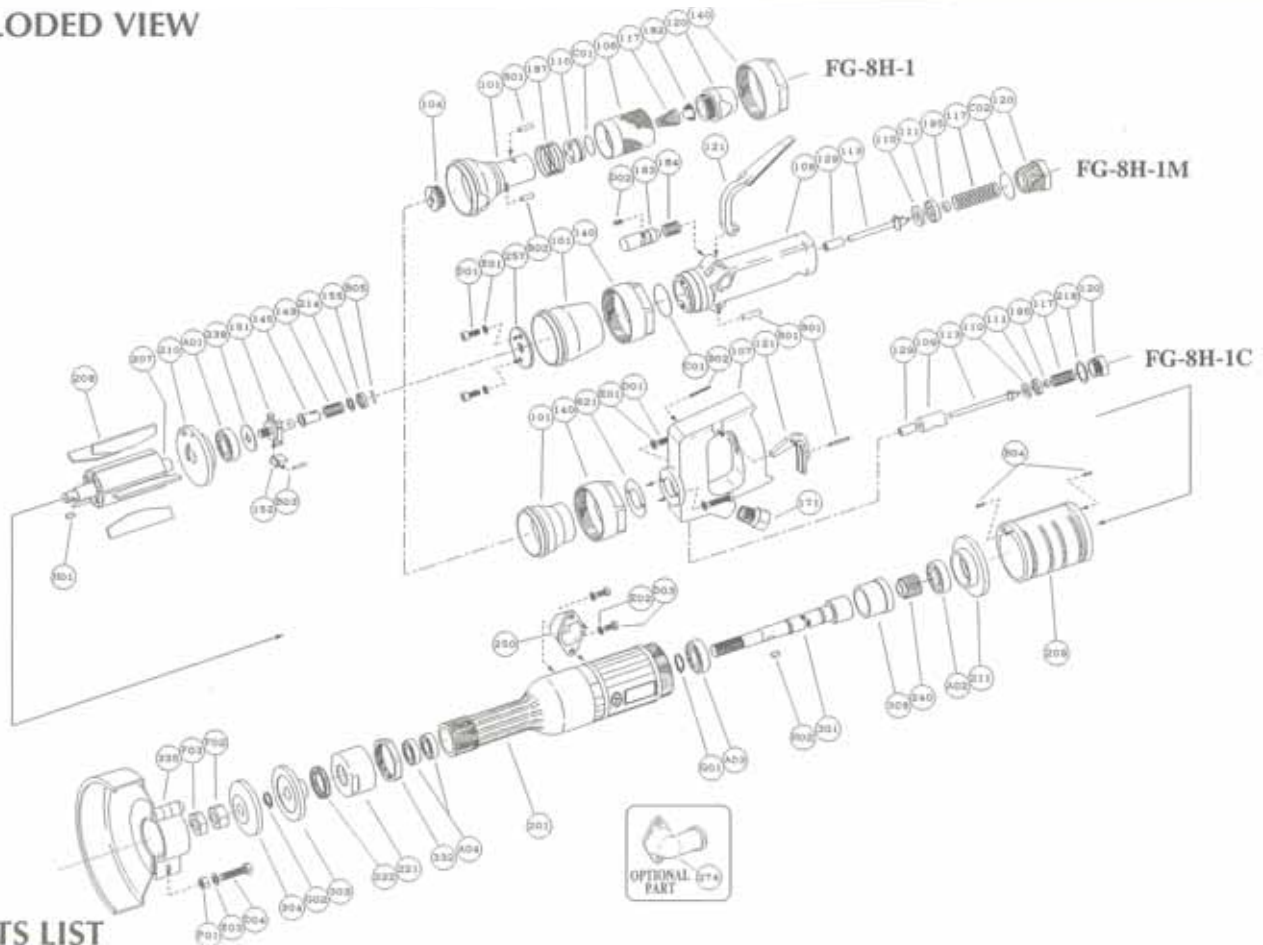


EXPLODED VIEW



PARTS LIST

Index No.	Parts No.	Parts Name	Qt.	Index No.	Parts No.	Parts Name	Qt.	Index No.	Parts No.	Parts Name	Qt.
FG-8H-1				FG-8H-1C							
Ass'y No.	G-160001-00	Housing Cover Ass'y		Ass'y No.	G-160002-00	Handle Ass'y		214	A-069214-00	Adjusting Washer (T = 0.2)	1
101	G-160101-00	Housing Cover	1	101	G-160101-02	Housing Cover	1	214	A-069214-01	Adjusting Washer (T = 0.3)	1
104	A-077104-01	Bushing	1	107	G-160107-00	Handle	1	214	A-069214-02	Adjusting Washer (T = 0.5)	1
106	A-077106-03	Throttle Valve Handle	1	109	G-048109-00	Throttle Valve Bushing	1	221	G-154221-00	Spindle Bearing Cover	1
110	A-077110-00	Throttle Valve	1	117	W-092117-00	Throttle Valve Spring	1	222	G-044222-00	Felt Ring	1
117	A-077117-00	Throttle Valve Spring	1	120	A-046120-00	Throttle Valve Cover	1	238	A-109238-00	Bearing Cover (B)	1
120	G-070120-00	Throttle Valve Cover (PT)	1	121	G-048121-00	Throttle Valve Lever	1	240	G-154240-00	Coupling	1
120	G-070120-01	Throttle Valve Cover (NPT)	1	129	H-006129-00	Throttle Valve Rod Bushing	1	250	G-154250-00	Exhaust Cover	1
182	W-057182-00	Strainer	1	140	G-160140-00	Cup Nut	1	(D03)	CS-510B	Cap Screw	2
187	A-077187-01	Throttle Valve Handle Spring	1	171	W-091171-00	Inlet Joint (PT)	1	(E02)	SW-5	Spring Washer	2
B01	NR-415	Needle Roller	1	171	W-091171-01	Inlet Joint (NPT)	1	301	G-154301-00	Wheel Spindle	1
B02	NR-413	Needle Roller	1	218	G-044218-00	Packing	1	303	G-160303-02	Wheel Flange (A)	1
C01	O-S22	"O" Ring	1	621	G-048621-A	Packing (A)	1	304	G-160304-02	Wheel Flange (B)	1
FG-8H-1M											
Ass'y No.	G-160001-01	Housing Cover Ass'y		B01	SP-430	Spring Pin	1	308	G-160308-00	Spacer	1
101	G-160101-01	Housing Cover	1	B02	SP-332	Spring Pin	1	332	G-098332-00	Lock Nut	1
140	G-160140-00	Cup Nut	1	(D01)	CS-625	Cap Screw	2	335	G-071335-00	Wheel Guard	1
257	A-100257-00	Washer	1	E01	SW-6	Spring Washer	2	(D04)	HS-625	Hexagon Bolt	1
C01	O-S44	"O" Ring	1	Ass'y No. G-160008-00 Throttle Valve Ass'y				(E03)	SW-6	Spring Washer	1
D01	CS-620	Cap Screw	2	110	A-078110-01	Throttle Valve	1	F01	N-6	Nut	1
E01	SW-6	Spring Washer	2	111	A-078111-01	Throttle Valve Washer	1	A01	BB-6202MN	Ball Bearing	1
Ass'y No. A-100003-00 Throttle Valve Body Ass'y				113	G-160113-00	Throttle Valve Rod	1	A02	BB-6202	Ball Bearing	1
108	A-100003-50	Throttle Valve Body	1	195	W-080195-00	Sub Throttle Valve	1	A03	BB-6004	Ball Bearing	1
(129)	A-078129-00	Throttle Valve Rod Bushing	1	FG-8H-1, -1M, -1C				B05	NR-2.515.8	Needle Roller	1
117	A-078117-01	Throttle Valve Spring	1	Ass'y No. G-160010-00 Governor Weight Ass'y				F02	N-U58	Nut	1
120	A-078120-03	Throttle Valve Cover (PT)	1	151	A-193151-00	Governor Cage	1	F03	N-U5/8 (3)	Nut	1
120	A-078120-04	Throttle Valve Cover (NPT)	1	152	G-160152-00	Governor Weight	2	G01	SR-S20	Snap Ring	1
120	A-078120-04	Throttle Valve Cover (NPT)	1	B03	GP-2.524GCH	Grooved Pin	2	G02	SR-S16	Snap Ring	1
121	A-078121-00	Throttle Valve Lever	1	140	G-160140-00	Cup Nut (For FG-8H-1)	1	H01	K-4410F	Key	1
183	A-078183-01	Lock Key	1	145	A-077145-00	Governor Valve	1	H02	K-4410	Key	1
184	A-078184-00	Lock Spring	1	149	A-084149-01	Governor Valve Spring	1	OPTIONAL PART			
B01	GP-520GCH	Grooved Pin	1	155	A-069155-00	Governor Valve Spring Holder	1	EXHAUST HOSE JOINT			
C02	O-P28	"O" Ring	1	201	G-160201-00	Housing	1	274	G-154274-00	Exhaust Hose Joint	1
D02	SS-48	Set Screw	1	207	G-160207-00	Rotor	1				
Ass'y No. A-078008-00 Throttle Valve Rod Ass'y				208	G-160208-00	Rotor Blade	5				
110	A-078110-01	Throttle Valve	1	209	G-160209-00	Cylinder	1				
111	A-078111-01	Throttle Valve Washer	1	(B04)	SP-38	Spring Pin	2				
113	A-078113-01	Throttle Valve Rod	1	210	G-160210-00	Cylinder Upper Plate	1				
195	W-080195-00	Sub Throttle Valve	1	211	G-160211-00	Cylinder Lower Plate	1				

□ Ass'y No. denotes the assembled parts comprising of more than 1 pc. of parts. The related parts are shown in the thick frame.
 □ #108, 209, 250 and 335 are supplied together with parts shown in ().
 □ Specify parts number and quantity in ordering.