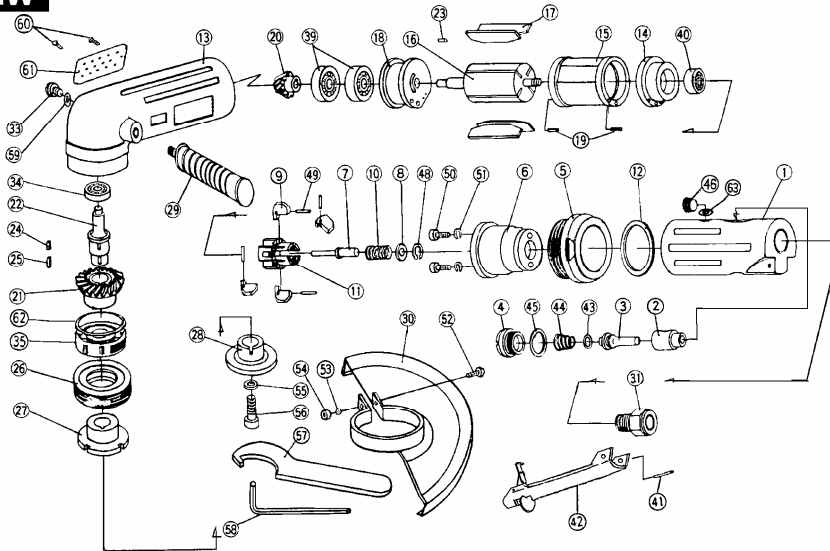


AIXIA-BG7AA ANGLE GRINDER

EXPLODED VIEW



PARTS LIST

03/03/2003

◆Parts may be changed with or without notice for improvement.

PARTS No.	NAME OF PARTS	PER SET	PARTS CODE	PRICE @	ORDE R	PARTS No.	NAME OF PARTS	PER SET	PARTS CODE	PRICE @	ORDE R
1	Handle Body	1	BG7AA-0050/0051			30	Disc Cover	1	BG7AA-020		
1A	Handle Body Assy. (No.1~6,12,31,41~46,50,51,63)		BG7A-3			30A	Disc Cover Assy.(No.30,No.52~54)		BG7-11		
2	Throttle Bushing	1	BG4A-420			31	Inlet Bushing	1	BG4A-422		
3	Throttle Pin	1	BG4A-280			33	Oil Plug Screw	1	10325210		
4	Cap Screw	1	BG4A-210			34	Ball Bearing	1	00608000		
5	Clamp Nut	1	BG7A-330			35	Ball Bearing	1	06303Z00		
6	Governor Case	1	BG7AA-011			39	Ball Bearing	2	06201000		
7	Governor Valve	1	BG7-H10			40	Ball Bearing	1	06200Z00		
8	Washer	1	BG7-510			41	Spring Pin	1	030200SP		
9	Pendulum	8	BG4-P00			42	Safety Lever Assy.	1	BG4A-31		
10	Governor Spring	1	BG7-231						BG4A-271		
11	Governor Body	1	BG7-P20						BG7AA-061		
11A	Governor Body Assy.(No.7~11,48,49)		BG7-21						BG4A-232		
12	Gasket Ring	1	BG4A-350						0201800P		
13	Casing Assy.(BG7-22)	1	BG7-460			43	O-Ring	1	000600PR		
14	Rear End Plate	1	BG7-050			44	Throttle Spring	1	BG4A-230		
15	Cylinder	1	BG7-190			45	Gasket Ring	1	001400SR		
16	Rotor	1	BG7-490			46	Oil Plug Screw	1	10325210		
17	Vane	4	BG7-500			48	Stop Ring	1	001600RT		
18	Front End Plate	1	BG7-040			49	Needle Pin	4	025118NK		
19	Spring Pin	2	030100SP			50	Hex.Cap Bolt	2	005180CB		
20	Bevel Pinion	1	BG7-T30			51	Spring Washer	2	005000S		
21	Bevel Gear	1	BG7-440			52	Hex.Head Bolt	1	00620PK		
22	Gear Shaft	1	BG7-140			53	Spring Washer	1	006000S		
23	Key	1	BG4-111			54	Hex.Nut	1	006000P		
24	Key	1	BG7-112			55	Spring Washer	1	006000S		
25	Key	1	BG7-111			56	Disc Clamp Screw	1	008250CB		
26	Set Screw	1	BG7-210			57	Disc Spanner	1	BG7AA-021		
27	Disc Receiver	1	BG7-R10			58	Hex.Wrench	1	006000LL		
28	Disc Check	1	BG7-R20			59	O-Ring	1	001000PR		
29	Glip Handle Assy.(BG7-23)	1	BG7-150			60	Screw	2	003000P		
						61	Exhaust Plate	1	BG7-020		
						62	Spacer Ring	1	BG7-480		
						63	O-Ring	1	001000PR		