

AIRIALDE

REMACHES TUDELA

BLISTER



BLISTER

CAJA MINI



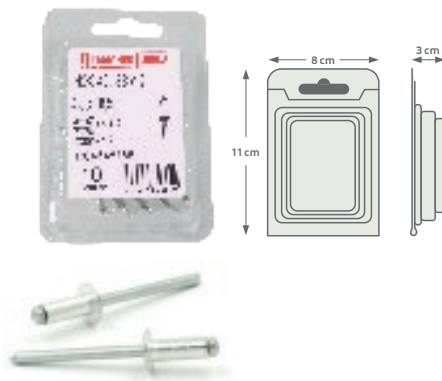
MINI BOX

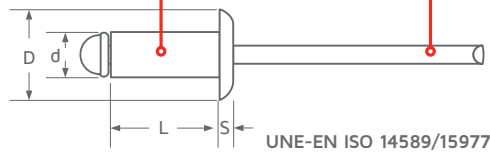
EXPOSITOR



EXHIBITOR

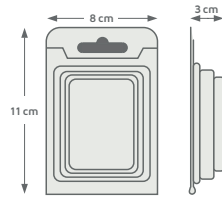

 ALUMINIO 3,5% MG
 ALUMINIUM 3,5% MG

 ACERO CINCADO
 ZINC PLATED STEEL

 ALUMINIO 3,5% MG
 ALUMINIUM 3,5% MG

 ACERO CINCADO
 ZINC PLATED STEEL


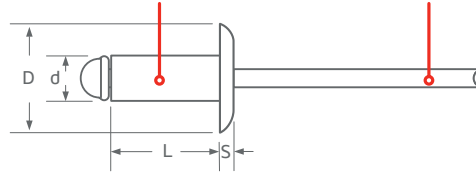
d Ø mm.	Dimensiones Sizes	L mm.	Código Code	E mm.	€ PCS.	N	N	
3,2	D= 6,3 mm. S= 1,0 mm. Ø 3,3 mm.	6	X0013206	1,5 - 3,5		980	760	120
		8	X0013208	3,5 - 5,0				120
		10	X0013210	5,0 - 7,0				100
		12	X0013212	7,0 - 9,0				100
		14	X0013214	9,0 - 11,0				100
		16	X0013216	11,0 - 13,0				70
		18	X0013218	13,0 - 15,0				70
		20	X0013220	15,0 - 17,0				70
4,0	D= 8,0 mm. S= 1,3 mm. Ø 4,1 mm.	6	X0013806	1,0 - 3,0		1600	1200	120
		8	X0013808	3,0 - 5,0				70
		10	X0013810	5,0 - 6,5				70
		12	X0013812	6,5 - 8,5				65
		14	X0013814	8,5 - 10,5				65
		16	X0013816	10,5 - 12,5				50
		18	X0013818	12,5 - 14,5				50
		20	X0013820	14,5 - 16,5				45
		23	X0013823	15,5 - 19,5				45
		25	X0013825	16,5 - 21,0				45
30	X0013830	21,0 - 25,0		40				
4,8	D= 9,5 mm. S= 1,4 mm. Ø 4,9 mm.	6	X0014806	1,5 - 2,5		2230	1690	60
		8	X0014808	2,5 - 4,0				60
		10	X0014810	4,0 - 6,0				50
		12	X0014812	6,0 - 8,0				45
		14	X0014814	8,0 - 10,0				45
		16	X0014816	10,0 - 12,0				40
		18	X0014818	12,0 - 14,0				40
		20	X0014820	14,0 - 16,0				35
		22	X0014822	16,0 - 18,0				35
		25	X0014825	17,0 - 20,0				30
		28	X0014828	20,0 - 23,0				30
		30	X0014830	23,0 - 25,0				30
35	X0014835	25,0 - 30,0		25				

Remaches Estándar - Cabeza Ancha /
Standard Rivet - Large Head



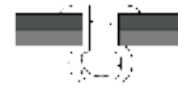
ALUMINIO 3,5% MG
ALUMINIUM 3,5% MG

ACERO CINCADO
ZINC PLATED STEEL



ALUMINIO 3,5% MG
ALUMINIUM 3,5% MG

ACERO CINCADO
ZINC PLATED STEEL



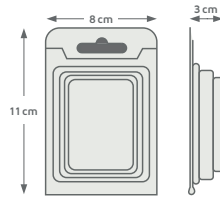
d Ø mm.	Dimensiones Sizes	L mm.	Código Code	mm.	€ PCS.	N	N	
4,0	D= 12,0 mm. S= 1,5 mm. Ø 4,1 mm.	8	X0033808	3,0 - 5,0		1600	1200	45
		10	X0033810	5,0 - 6,5				45
		12	X0033812	6,5 - 8,5				40
		14	X0033814	8,5 - 10,5				30
		16	X0033816	10,5 - 12,5				30
		18	X0033818	12,5 - 14,5				25
		20	X0033820	14,5 - 16,5				25
4,8	D= 14,0 mm. S= 1,8 mm. Ø 4,9 mm.	8	X0034808	3,0 - 4,0		2230	1690	35
		10	X0034810	4,0 - 6,0				30
		12	X0034812	6,0 - 8,0				30
		14	X0034814	8,0 - 10,0				30
		16	X0034816	10,0 - 12,0				25
		18	X0034818	12,0 - 14,0				25
		20	X0034820	13,0 - 15,0				20
		22	X0034822	15,0 - 17,0				20
24	X0034824	17,0 - 19,0		20				



ALUMINIO 3,5% MG
ALUMINIUM 3,5% MG

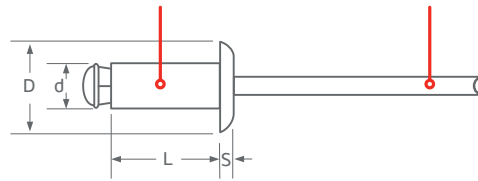


ACERO CINCADO
ZINC PLATED STEEL



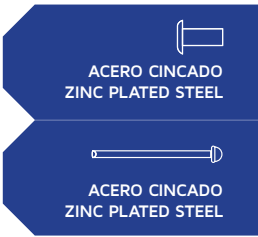
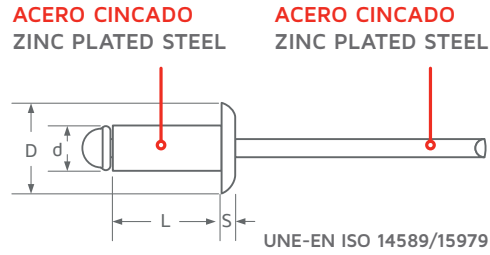
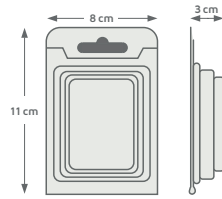
ALUMINIO 3,5% MG
ALUMINIUM 3,5% MG

ACERO CINCADO
ZINC PLATED STEEL



d Ø mm.	Dimensiones Sizes	L mm.	Código Code	mm.	€ PCS.	N	N	PCS.
4,0	D= 8,0 mm. S= 1,3 mm. Ø 4,4 - 4,5 mm.	10	X0073810	1,5 - 5,0		1150	1260	70
		12	X0073812	4,0 - 7,0				65
		14	X0073814	6,0 - 9,0				65
		16	X0073816	8,0 - 11,0				50
		18	X0073818	10,0 - 13,0				50
		20	X0073820	12,0 - 15,0				45
4,8	D= 9,5 mm. S= 1,4 mm. Ø 5,2 - 5,3 mm.	10	X0074810	0,5 - 4,0		1600	1690	50
		12	X0074812	2,0 - 6,0				45
		14	X0074814	4,0 - 8,0				45
		16	X0074816	6,0 - 10,0				40
		18	X0074818	8,0 - 12,0				40
		20	X0074820	10,0 - 14,0				35
		22	X0074822	12,0 - 16,0				35
		25	X0074825	16,0 - 19,0				30
		30	X0074830	19,0 - 24,0				30
		35	X0074835	24,0 - 29,0				25

Remaches Estándar - Cabeza Alomada /
Standard Rivet - Dome Head



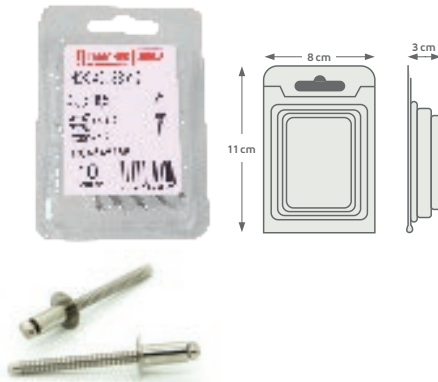
d Ø mm.	Dimensiones Sizes	L mm.	Código Code	E mm.	€ PCS.	H	H	
3,2	D= 6,3 mm. S= 1,0 mm. Ø 3,3 mm.	6	XR0103206	0,5 - 3,0		1200	1100	120
		8	XR0103208	3,0 - 5,0				100
		10	XR0103210	5,0 - 6,5				100
		12	XR0103212	6,5 - 8,0				100
4,0	D= 8,0 mm. S= 1,3 mm. Ø 4,1 mm.	6	XR0103806	2,0 - 3,0		2200	1700	70
		8	XR0103808	3,0 - 5,0				70
		10	XR0103810	5,0 - 6,5				70
		12	XR0103812	6,5 - 8,0				65
		14	XR0103814	8,0 - 10,0				65
		16	XR0103816	10,0 - 12,0				50
		18	XR0103818	12,0 - 14,0				50
20	XR0103820	14,0 - 16,0	45					
4,8	D= 9,5 mm. S= 1,4 mm. Ø 4,9 mm.	6	XR0104806	1,0 - 2,5		3100	2900	60
		8	XR0104808	2,5 - 4,0				60
		10	XR0104810	4,0 - 6,0				50
		12	XR0104812	6,0 - 8,0				45
		14	XR0104814	8,0 - 10,0				45
		16	XR0104816	9,0 - 11,0				40
		18	XR0104818	11,0 - 13,0				40
20	XR0104820	13,0 - 15,0	35					



ACERO INOXIDABLE A2
STAINLESS STEEL A2

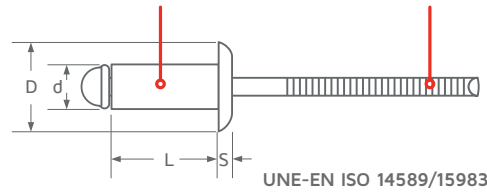









ACERO INOXIDABLE A2
STAINLESS STEEL A2



ACERO INOXIDABLE A2
STAINLESS STEEL A2

ACERO INOXIDABLE A2
STAINLESS STEEL A2



d Ø mm.	Dimensiones Sizes	L mm.	Código Code	 E mm.	€ PCS.	 N	 N	
3,2	D= 6,3 mm. S= 1,0 mm.  Ø 3,3 mm.	6	XR0133206	1,0 - 3,0	2500	1900	120	
		8	XR0133208	3,0 - 5,0			100	
		10	XR0133210	5,0 - 6,5			100	
4,0	D= 8,0 mm. S= 1,3 mm.  Ø 4,1 mm.	6	XR0133806	1,0 - 2,5	3500	2700	70	
		8	XR0133808	2,5 - 4,5			70	
		10	XR0133810	4,5 - 6,5			70	
		12	XR0133812	6,5 - 8,5			65	
		14	XR0133814	8,5 - 10,0			65	
		16	XR0133816	10,0 - 12,0			50	
		18	XR0133818	12,0 - 14,0			50	
20	XR0133820	14,0 - 16,0	45					
4,8	D= 9,5 mm. S= 1,4 mm.  Ø 4,9 mm.	8	XR0134808	2,0 - 4,0	5000	4000	60	
		10	XR0134810	4,0 - 6,0			50	
		12	XR0134812	6,0 - 8,0			45	
		14	XR0134814	8,0 - 10,0			45	
		16	XR0134816	9,0 - 11,0			40	
		18	XR0134818	11,0 - 13,0			40	
20	XR0134820	13,0 - 15,0	35					

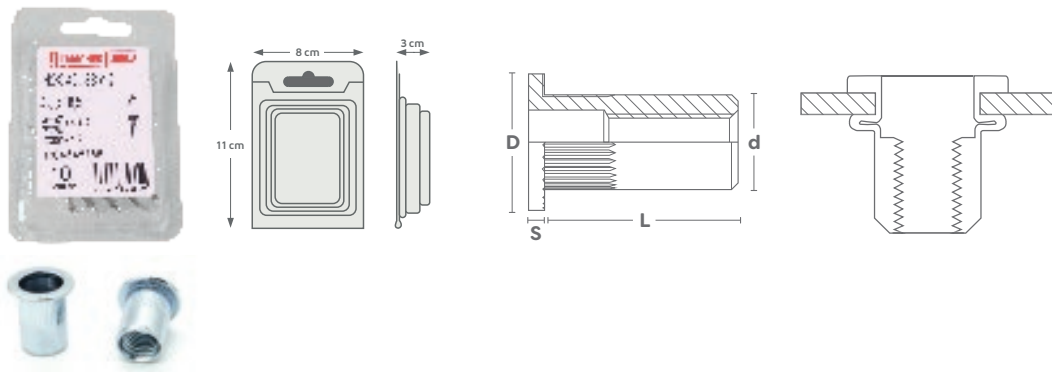






CONSULTE STOCK




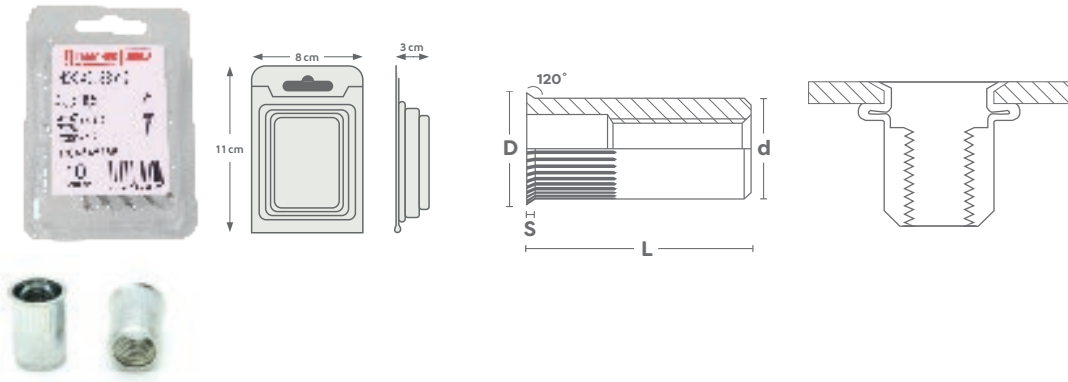
Tuerca Cilíndrica Ranurada - Cabeza Ancha - Abierta /
Cylindrical Grooved Nut - Flat Head - Open End

ACERO
STEEL



M • Dimensiones Sizes • **L** mm. • Código Code •  E mm. • € 1000 PCS. •  N •  Nm • 

M	Dimensiones Sizes	L mm.	Código Code	E mm.	€ 1000 PCS.	N	Nm	
M3	D= 6,5 mm. S= 1,0 mm. d= 4,9 mm. ∅ 5,0 mm.	10	XTR03100LFKNS	0,5 - 3,0		4.000	1,2	100
M4	D= 8,5 mm. S= 1,0 mm. d= 5,9 mm. ∅ 6,0 mm.	10	XTR04100LFKNS	0,5 - 3,0		6.800	3,0	100
M5	D= 9,5 mm. S= 1,0 mm. d= 6,9 mm. ∅ 7,0 mm.	12	XTR05120LFKNS	0,5 - 3,0		10.000	6,0	75
M6	D= 12,5 mm. S= 1,5 mm. d= 8,9 mm. ∅ 9,0 mm.	14,5	XTR06145LFKNS	0,5 - 3,0		15.000	10,0	45
M8	D= 15,5 mm. S= 1,5 mm. d= 10,9 mm. ∅ 11,0 mm.	16	XTR08160LFKNS	0,5 - 3,0		27.000	24,0	25
M10	D= 18,5 mm. S= 2,0 mm. d= 12,9 mm. ∅ 13,0 mm.	17	XTR10170LFKNS	1,0 - 3,5		37.000	48,0	15

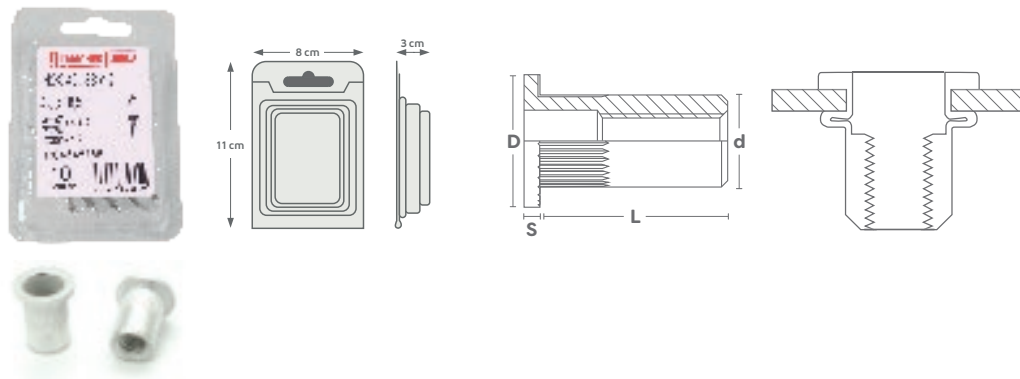



M	Dimensiones Sizes	L mm.	Código Code	E mm.	€ 1000 PCS.	N	Nm	
---	----------------------	----------	----------------	----------	----------------	---	----	--

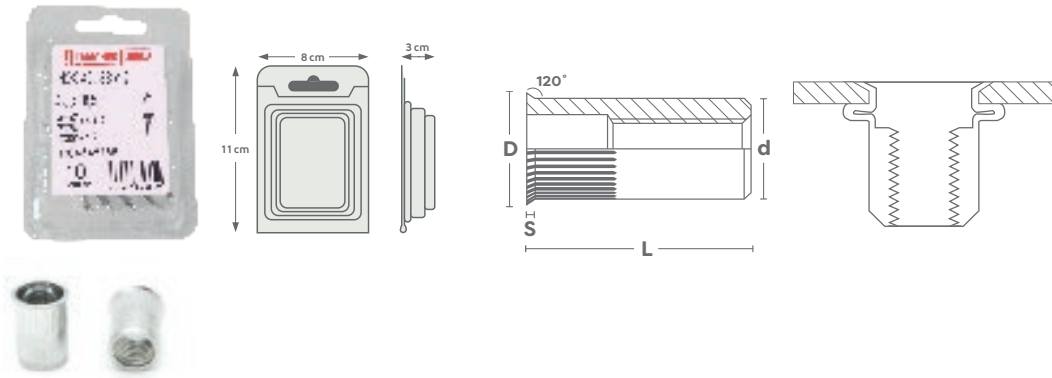
M4	D= 6,5 mm. S= 0,5 mm. d= 5,9 mm. ø 6,0 mm.	10	XTR04100TSKNS	0,5 - 3,0		6.800	3,0	100
M5	D= 7,5 mm. S= 0,5 mm. d= 6,9 mm. ø 7,0 mm.	11,5	XTR05115TSKNS	0,5 - 3,0		10.000	6,0	75
M6	D= 9,5 mm. S= 0,5 mm. d= 8,9 mm. ø 9,0 mm.	14	XTR06140TSKNS	0,5 - 3,0		15.000	10,0	45
M8	D= 11,5 mm. S= 0,5 mm. d= 10,9 mm. ø 11,0 mm.	15,5	XTR08155TSKNS	0,5 - 3,0		27.000	24,0	25
M10	D= 13,5 mm. S= 0,7 mm. d= 12,9 mm. ø 13,0 mm.	19,5	XTR10195TSKNS	1,0 - 3,5		37.000	48,0	15

Tuerca Cilíndrica Ranurada - Cabeza Ancha - Abierta /
Cylindrical Grooved Nut - Flat Head - Open End

ALUMINIO
ALUMINIUM

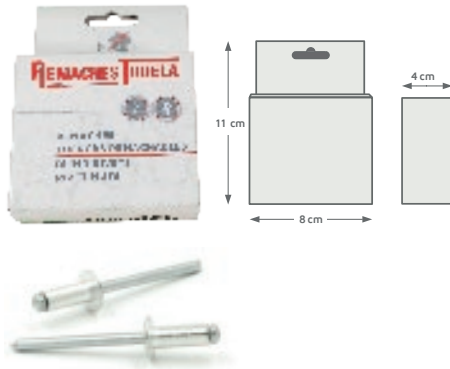
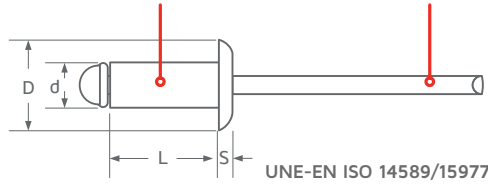


M	Dimensiones Sizes	L mm.	Código Code	E mm.	€ 1000 PCS.	N	Nm	
M3	D= 6,5 mm. S= 1,0 mm. d= 4,9 mm. ∅ 5,0 mm.	10	XTR03100LFKNAL	0,5 - 3,0		2.500	0,7	100
M4	D= 9,7 mm. S= 0,8 mm. d= 5,9 mm. ∅ 6,0 mm.	10	XTR04100LFKNAL	0,5 - 3,0		4.000	2,0	100
M5	D= 10,0 mm. S= 1,0 mm. d= 6,9 mm. ∅ 7,0 mm.	12	XTR05120LFKNAL	0,5 - 3,0		5.500	4,0	75
M6	D= 12,5 mm. S= 1,5 mm. d= 8,9 mm. ∅ 9,0 mm.	14,5	XTR06145LFKNAL	0,5 - 3,0		8.300	6,0	45
M8	D= 15,5 mm. S= 1,5 mm. d= 10,9 mm. ∅ 11,0 mm.	16	XTR08160LFKNAL	0,5 - 3,0		13.000	15,0	25
M10	D= 18,5 mm. S= 1,8 mm. d= 12,9 mm. ∅ 13,0 mm.	17	XTR10170LFKNAL	1,0 - 3,5		20.000	27,0	15



M	Dimensiones Sizes	L mm.	Código Code	E mm.	€ 1000 PCS.	N	Nm	
M4	D= 6,5 mm. S= 0,5 mm. d= 5,9 mm. ø 6,0 mm.	10	XTR04100TSKNAL	0,5 - 3,0		4.000	2,0	100
M5	D= 7,5 mm. S= 0,5 mm. d= 6,9 mm. ø 7,0 mm.	11,5	XTR05115TSKNAL	0,5 - 3,0		5.500	4,0	75
M6	D= 9,5 mm. S= 0,5 mm. d= 8,9 mm. ø 9,0 mm.	14	XTR06140TSKNAL	0,5 - 3,0		8.300	6,0	45
M8	D= 11,5 mm. S= 0,5 mm. d= 10,9 mm. ø 11,0 mm.	15,5	XTR08155TSKNAL	0,5 - 3,0		13.000	15,0	25
M10	D= 13,5 mm. S= 0,7 mm. d= 12,9 mm. ø 13,0 mm.	19,5	XTR10195TSKNAL	0,5 - 3,5		20.000	27,0	15



Standard Rivet - Dome Head

ALUMINIO 3,5% MG
ALUMINIUM 3,5% MG
ACERO CINCADO
ZINC PLATED STEEL

ALUMINIO 3,5% MG
ALUMINIUM 3,5% MG
ACERO CINCADO
ZINC PLATED STEEL

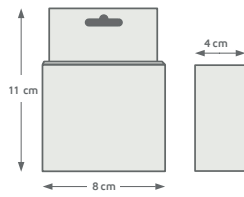

d Ø mm.	Dimensiones Sizes	L mm.	Código Code	mm.	€ PCS.			
3,2	D= 6,3 mm. S= 1,0 mm. Ø 3,3 mm.	6	M0013206	1,5 - 3,5		980	760	240
		8	M0013208	3,5 - 5,0				220
		10	M0013210	5,0 - 7,0				200
		12	M0013212	7,0 - 9,0				180
		14	M0013214	9,0 - 11,0				160
		16	M0013216	11,0 - 13,0				140
		18	M0013218	13,0 - 15,0				120
		20	M0013220	15,0 - 17,0				100
4,0	D= 8,0 mm. S= 1,3 mm. Ø 4,1 mm.	6	M0013806	1,0 - 3,0		1600	1200	160
		8	M0013808	3,0 - 5,0				140
		10	M0013810	5,0 - 6,5				130
		12	M0013812	6,5 - 8,5				130
		14	M0013814	8,5 - 10,5				120
		16	M0013816	10,5 - 12,5				110
		18	M0013818	12,5 - 14,5				100
		20	M0013820	14,5 - 16,5				90
		23	M0013823	15,5 - 19,5				90
		25	M0013825	16,5 - 21,0				80
30	M0013830	21,0 - 25,0		75				
4,8	D= 9,5 mm. S= 1,4 mm. Ø 4,9 mm.	6	M0014806	1,5 - 2,5		2230	1690	100
		8	M0014808	2,5 - 4,0				100
		10	M0014810	4,0 - 6,0				100
		12	M0014812	6,0 - 8,0				90
		14	M0014814	8,0 - 10,0				90
		16	M0014816	10,0 - 12,0				80
		18	M0014818	12,0 - 14,0				70
		20	M0014820	14,0 - 16,0				60
		22	M0014822	16,0 - 18,0				60
		25	M0014825	17,0 - 20,0				50
		28	M0014828	20,0 - 23,0				50
		30	M0014830	23,0 - 25,0				50
		35	M0014835	25,0 - 30,0				40



ALUMINIO 3,5% MG
ALUMINIUM 3,5% MG

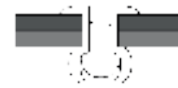
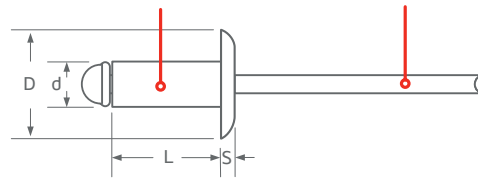


ACERO CINCADO
ZINC PLATED STEEL

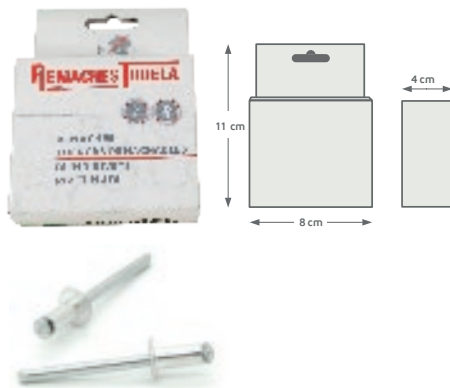


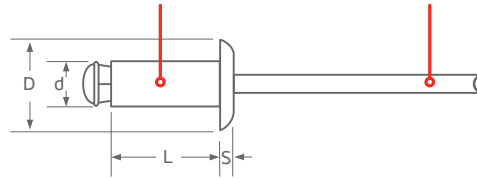
ALUMINIO 3,5% MG
ALUMINIUM 3,5% MG

ACERO CINCADO
ZINC PLATED STEEL



d Ø mm.	Dimensiones Sizes	L mm.	Código Code	mm.	€ PCS.	N	N	
4,0	D= 12,0 mm. S= 1,5 mm. Ø 4,1 mm.	8	M0033808	3,0 - 5,0		1600	1200	90
		10	M0033810	5,0 - 6,5				80
		12	M0033812	6,5 - 8,5				80
		14	M0033814	8,5 - 10,5				70
		16	M0033816	10,5 - 12,5				60
		18	M0033818	12,5 - 14,5				50
		20	M0033820	14,5 - 16,5				50
4,8	D= 14,0 mm. S= 1,8 mm. Ø 4,9 mm.	8	M0034808	3,0 - 4,0		2230	1690	50
		10	M0034810	4,0 - 6,0				45
		12	M0034812	6,0 - 8,0				45
		14	M0034814	8,0 - 10,0				40
		16	M0034816	10,0 - 12,0				40
		18	M0034818	12,0 - 14,0				35
		20	M0034820	13,0 - 15,0				35
		22	M0034822	15,0 - 17,0				30
24	M0034824	17,0 - 19,0		30				

Remaches Flor - Cabeza Alomada /
Peel Rivet - Dome Head

ALUMINIO 3,5% MG
 ALUMINIUM 3,5% MG

ACERO CINCADO
 ZINC PLATED STEEL


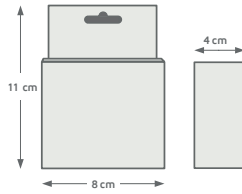
 ALUMINIO 3,5% MG
 ALUMINIUM 3,5% MG

 ACERO CINCADO
 ZINC PLATED STEEL


d Ø mm.	Dimensiones Sizes	L mm.	Código Code	mm.	€ PCS.			
4,0	D= 8,0 mm. S= 1,3 mm. Ø 4,4 - 4,5 mm.	10	M0073810	1,5 - 5,0		1150	1260	130
		12	M0073812	4,0 - 7,0				130
		14	M0073814	6,0 - 9,0				120
		16	M0073816	8,0 - 11,0				110
		18	M0073818	10,0 - 13,0				100
		20	M0073820	12,0 - 15,0				90
4,8	D= 9,5 mm. S= 1,4 mm. Ø 5,2 - 5,3 mm.	10	M0074810	0,5 - 4,0		1600	1690	100
		12	M0074812	2,0 - 6,0				90
		14	M0074814	4,0 - 8,0				90
		16	M0074816	6,0 - 10,0				80
		18	M0074818	8,0 - 12,0				70
		20	M0074820	10,0 - 14,0				60
		22	M0074822	12,0 - 16,0				60
		25	M0074825	16,0 - 19,0				50
		30	M0074830	19,0 - 24,0				50
		35	M0074835	24,0 - 29,0				40

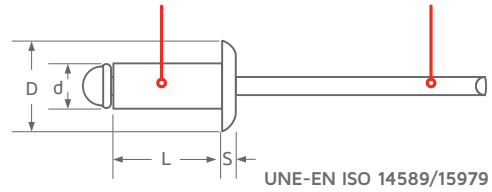
ACERO CINCADO
ZINC PLATED STEEL

ACERO CINCADO
ZINC PLATED STEEL



ACERO CINCADO
ZINC PLATED STEEL

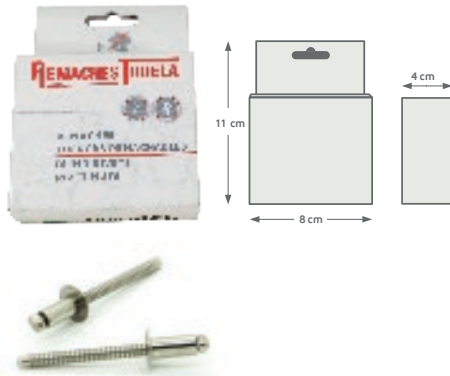
ACERO CINCADO
ZINC PLATED STEEL



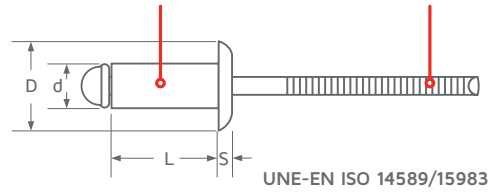
UNE-EN ISO 14589/15979



d Ø mm.	Dimensiones Sizes	L mm.	Código Code	E mm.	€ PCS.	N	N	
3,2	D= 6,3 mm. S= 1,0 mm. Ø 3,3 mm.	6	XR0103206	0,5 - 3,0		1200	1100	240
		8	XR0103208	3,0 - 5,0				220
		10	XR0103210	5,0 - 6,5				200
		12	XR0103212	6,5 - 8,0				180
4,0	D= 8,0 mm. S= 1,3 mm. Ø 4,1 mm.	6	XR0103806	2,0 - 3,0		2200	1700	160
		8	XR0103808	3,0 - 5,0				140
		10	XR0103810	5,0 - 6,5				130
		12	XR0103812	6,5 - 8,0				130
		14	XR0103814	8,0 - 10,0				120
		16	XR0103816	10,0 - 12,0				110
		18	XR0103818	12,0 - 14,0				100
20	XR0103820	14,0 - 16,0	90					
4,8	D= 9,5 mm. S= 1,4 mm. Ø 4,9 mm.	6	XR0104806	1,0 - 2,5		3100	2900	100
		8	XR0104808	2,5 - 4,0				100
		10	XR0104810	4,0 - 6,0				100
		12	XR0104812	6,0 - 8,0				90
		14	XR0104814	8,0 - 10,0				90
		16	XR0104816	9,0 - 11,0				80
		18	XR0104818	11,0 - 13,0				70
		20	XR0104820	13,0 - 15,0				60



ACERO INOXIDABLE A2 STAINLESS STEEL A2 ACERO INOXIDABLE A2 STAINLESS STEEL A2



ACERO INOXIDABLE A2
STAINLESS STEEL A2

ACERO INOXIDABLE A2
STAINLESS STEEL A2

\varnothing mm.	Dimensiones Sizes	L mm.	Código Code	mm.	€ PCS.	H	H	
3,2	D= 6,3 mm. S= 1,0 mm. Ø 3,3 mm.	6	MR0133206	1,0 - 3,0		2500	1900	240
		8	MR0133208	3,0 - 5,0				220
		10	MR0133210	5,0 - 6,5				200
4,0	D= 8,0 mm. S= 1,3 mm. Ø 4,1 mm.	6	MR0133806	1,0 - 2,5		3500	2700	160
		8	MR0133808	2,5 - 4,5				140
		10	MR0133810	4,5 - 6,5				130
		12	MR0133812	6,5 - 8,5				130
		14	MR0133814	8,5 - 10,0				120
		16	MR0133816	10,0 - 12,0				110
		18	MR0133818	12,0 - 14,0				100
20	MR0133820	14,0 - 16,0	90					
4,8	D= 9,5 mm. S= 1,4 mm. Ø 4,9 mm.	8	MR0134808	2,0 - 4,0		5000	4000	100
		10	MR0134810	4,0 - 6,0				100
		12	MR0134812	6,0 - 8,0				90
		14	MR0134814	8,0 - 10,0				90
		16	MR0134816	9,0 - 11,0				80
		18	MR0134818	11,0 - 13,0				70
		20	MR0134820	13,0 - 15,0				60

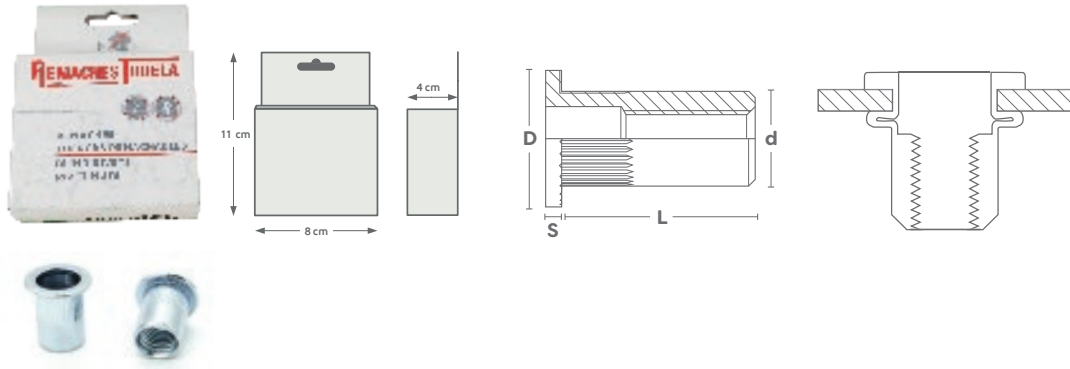


CONSULTE STOCK



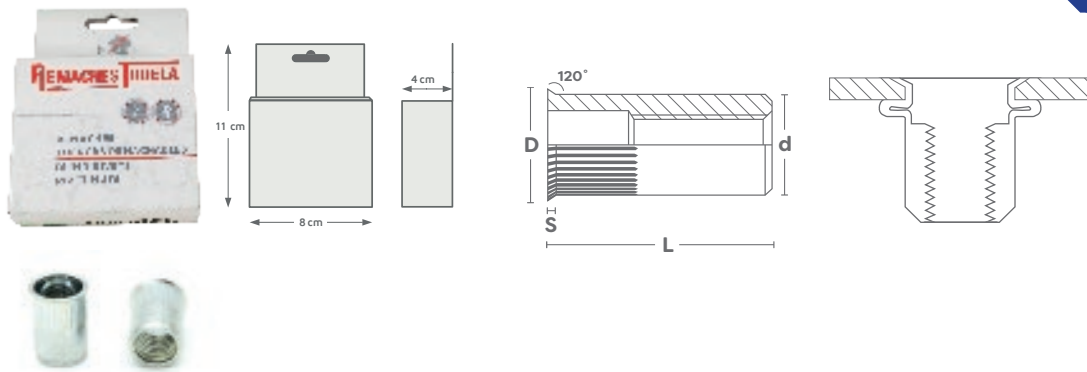


ACERO
STEEL



M • Dimensiones Sizes • **L** mm. • Código Code • **E** mm. • € 1000 PCS. • **N** • **Nm** •

M	Dimensiones Sizes	L mm.	Código Code	E mm.	€ 1000 PCS.	N	Nm	
M3	D= 6,5 mm. S= 1,0 mm. d= 4,9 mm. ø 5,0 mm.	10	MTR03100LFKNS	0,5 - 3,0		4.000	1,2	250
M4	D= 8,5 mm. S= 1,0 mm. d= 5,9 mm. ø 6,0 mm.	10	MTR04100LFKNS	0,5 - 3,0		6.800	3,0	250
M5	D= 9,5 mm. S= 1,0 mm. d= 6,9 mm. ø 7,0 mm.	12	MTR05120LFKNS	0,5 - 3,0		10.000	6,0	200
M6	D= 12,5 mm. S= 1,5 mm. d= 8,9 mm. ø 9,0 mm.	14,5	MTR06145LFKNS	0,5 - 3,0		15.000	10,0	80
M8	D= 15,5 mm. S= 1,5 mm. d= 10,9 mm. ø 11,0 mm.	16	MTR08160LFKNS	0,5 - 3,0		27.000	24,0	45
M10	D= 18,5 mm. S= 2,0 mm. d= 12,9 mm. ø 13,0 mm.	17	MTR10170LFKNS	1,0 - 3,5		37.000	48,0	30

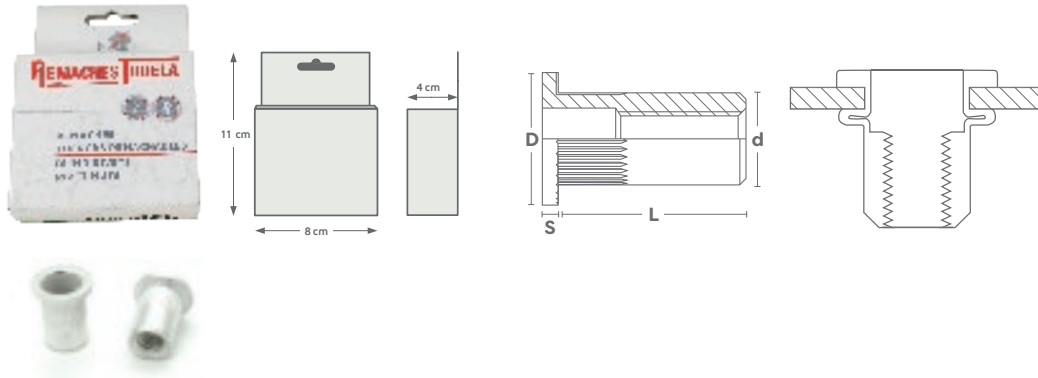


M • Dimensiones • **L** • Código • **E** • € • 1000 PCS. • **N** • **Nm** •

M	Dimensiones Sizes	L mm.	Código Code	E mm.	€ 1000 PCS.	N	Nm	
M4	D= 6,5 mm. S= 0,5 mm. d= 5,9 mm. ∅ 6,0 mm.	10	MTR04100TSKNS	0,5 - 3,0		6.800	3,0	250
M5	D= 7,5 mm. S= 0,5 mm. d= 6,9 mm. ∅ 7,0 mm.	11,5	MTR05115TSKNS	0,5 - 3,0		10.000	6,0	200
M6	D= 9,5 mm. S= 0,5 mm. d= 8,9 mm. ∅ 9,0 mm.	14	MTR06140TSKNS	0,5 - 3,0		15.000	10,0	80
M8	D= 11,5 mm. S= 0,5 mm. d= 10,9 mm. ∅ 11,0 mm.	15,5	MTR08155TSKNS	0,5 - 3,0		27.000	24,0	45
M10	D= 13,5 mm. S= 0,7 mm. d= 12,9 mm. ∅ 13,0 mm.	19,5	MTR10195TSKNS	1,0 - 3,5		37.000	48,0	30



ALUMINIO
ALUMINIUM



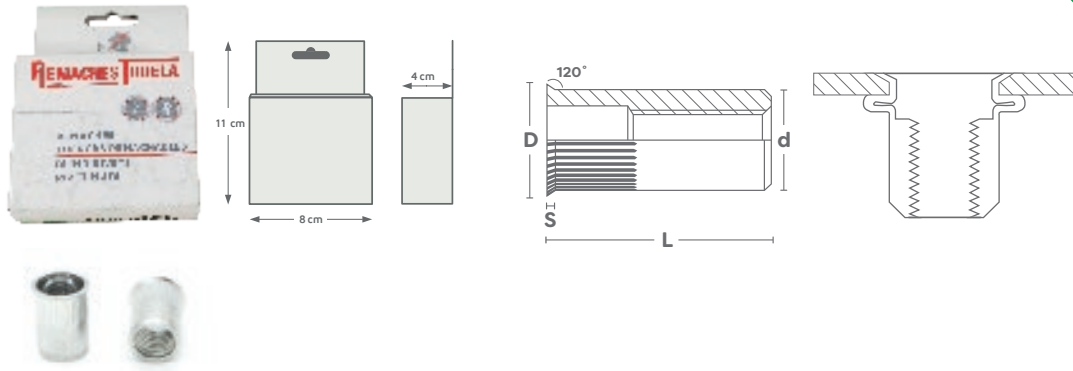
M • Dimensiones Sizes • **L** mm. • Código Code • **E** mm. • € 1000 PCS. • **N** • **Nm** •

M	Dimensiones Sizes	L mm.	Código Code	E mm.	€ 1000 PCS.	N	Nm	
M3	D= 6,5 mm. S= 1,0 mm. d= 4,9 mm. ∅ 5,0 mm.	10	MTR03100LFKNAL	0,5 - 3,0		2.500	0,7	250
M4	D= 9,7 mm. S= 0,8 mm. d= 5,9 mm. ∅ 6,0 mm.	10	MTR04100LFKNAL	0,5 - 3,0		4.000	2,0	250
M5	D= 10,0 mm. S= 1,0 mm. d= 6,9 mm. ∅ 7,0 mm.	12	MTR05120LFKNAL	0,5 - 3,0		5.500	4,0	200
M6	D= 12,5 mm. S= 1,5 mm. d= 8,9 mm. ∅ 9,0 mm.	14,5	MTR06145LFKNAL	0,5 - 3,0		8.300	6,0	80
M8	D= 15,5 mm. S= 1,5 mm. d= 10,9 mm. ∅ 11,0 mm.	16	MTR08160LFKNAL	0,5 - 3,0		13.000	15,0	45
M10	D= 18,5 mm. S= 1,8 mm. d= 12,9 mm. ∅ 13,0 mm.	17	MTR10170LFKNAL	1,0 - 3,5		20.000	27,0	30

Tuerca Cilíndrica Ranurada - Cabeza Reducida - Abierta /
Cylindrical Grooved Nut - Reduced Head - Open End

Caja Mini / Mini Box

ALUMINIO
ALUMINIUM



M	Dimensiones Sizes	L mm.	Código Code	E mm.	€ 1000 PCS.	N	Nm	
M4	D= 6,5 mm. S= 0,5 mm. d= 5,9 mm. ∅ 6,0 mm.	10	MTR04100TSKNAL	0,5 - 3,0		4.000	2,0	250
M5	D= 7,5 mm. S= 0,5 mm. d= 6,9 mm. ∅ 7,0 mm.	11,5	MTR05115TSKNAL	0,5 - 3,0		5.500	4,0	200
M6	D= 9,5 mm. S= 0,5 mm. d= 8,9 mm. ∅ 9,0 mm.	14	MTR06140TSKNAL	0,5 - 3,0		8.300	6,0	80
M8	D= 11,5 mm. S= 0,5 mm. d= 10,9 mm. ∅ 11,0 mm.	15,5	MTR08155TSKNAL	0,5 - 3,0		13.000	15,0	45
M10	D= 13,5 mm. S= 0,7 mm. d= 12,9 mm. ∅ 13,0 mm.	19,5	MTR10195TSKNAL	0,5 - 3,5		20.000	27,0	30

Video



CONSULTE STOCK



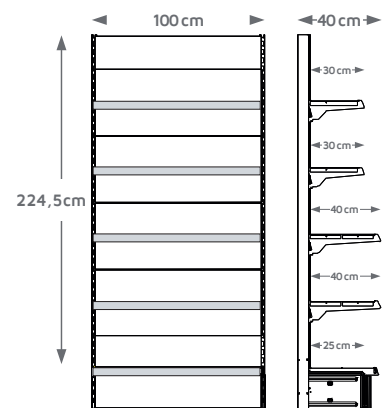
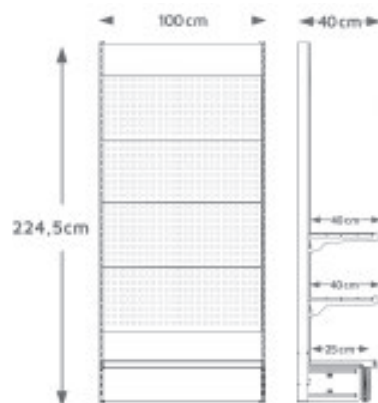
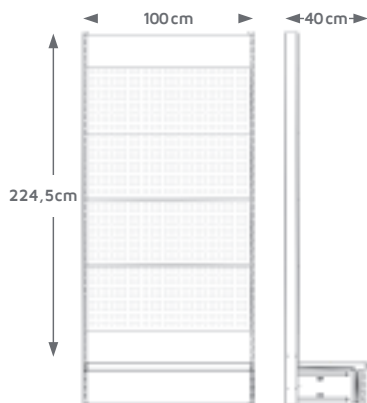
Expositor Blister
Blister Exhibitor



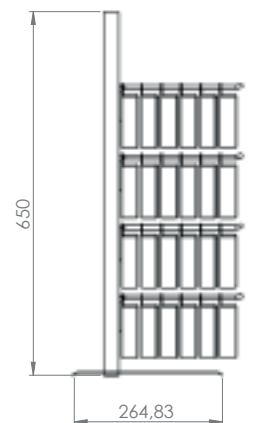
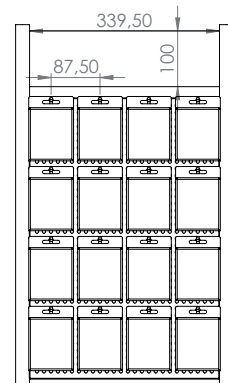
Expositor Mixto
Mix Exhibitor



Expositor Baldas
Shelf Exhibitor



Expositor Sobremesa
Table-Top Exhibitor



A petición del cliente suministramos nuestro expositor Remaches Tudela.
On request we can supply our tudela rivets exhibitor.